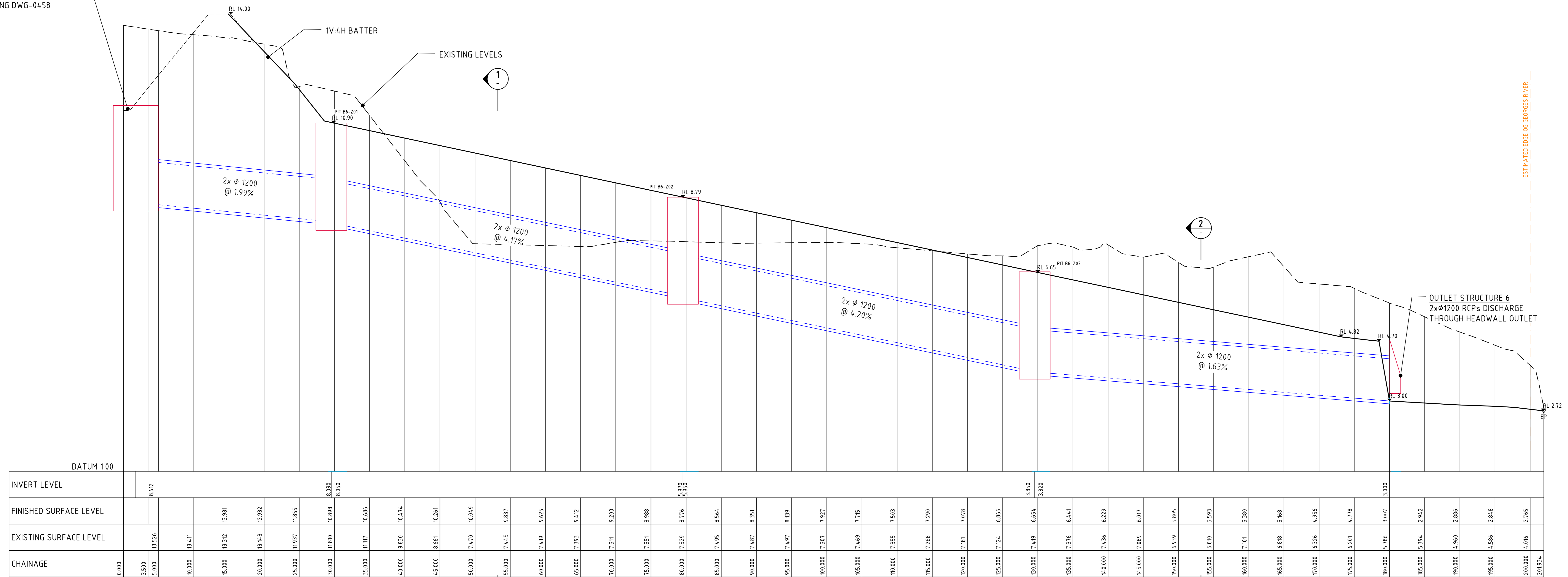
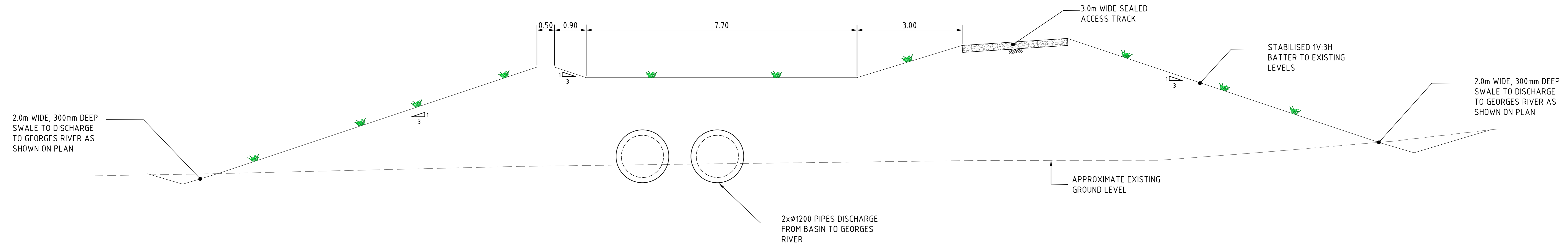


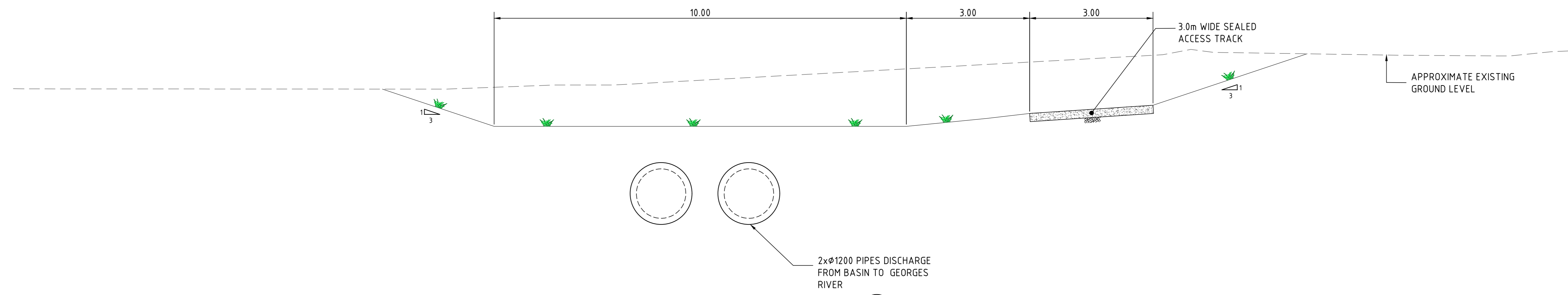
BASIN 6 BASIN INLET PIT. REFER TO DETAILS ON DRAWING DWG-0458



SECTION OSD6 DISCHARGE STRUCTURE
HORIZONTAL SCALE 1:200
VERTICAL SCALE 1:40



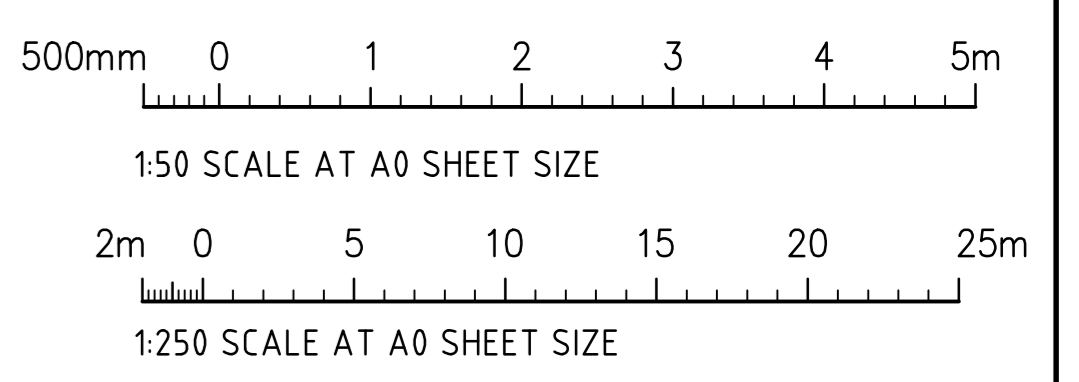
SECTION 150 1
0462



SECTION 150 2
0462

LEGEND:

- DESIGN SURFACE LEVEL
- EXISTING GROUND SURFACE
- APPROXIMATE BASIN GRADING SURFACE
- BASIN DISCHARGE PIPE



FOR CONSTRUCTION

ISSUED FOR CONSTRUCTION	24.06.20	0
50% DESIGN COMPLETION	17.02.20	C
ISSUED FOR POST APPROVALS	29.11.19	B
PRELIMINARY ISSUE ONLY	18.10.19	A
AMENDMENTS	DATE	ISSUE

DEVELOPER

ARCHITECT

REIDCAMPBELL
Architecture, Interiors, Project Management

PROJECT MANAGER

J. WYNDHAM PRINCE
CONSULTING CIVIL INFRASTRUCTURE ENGINEERS & PROJECT MANAGERS

PROJECT

PRECINCT INFRASTRUCTURE WORKS WEST
MOOREBANK AVENUE, MOOREBANK

CONSULT AUSTRALIA

Costin Roe Consulting Pty Ltd.
Consulting Engineers

Costin Roe Consulting

PRECISION | COMMUNICATION | ACCOUNTABILITY

DRAWING TITLE

OUTLET STRUCTURE 6
PLAN & SECTIONS

DRAWING No. LPWPIW-COS-CV-DWG-0465 ISSUE 0