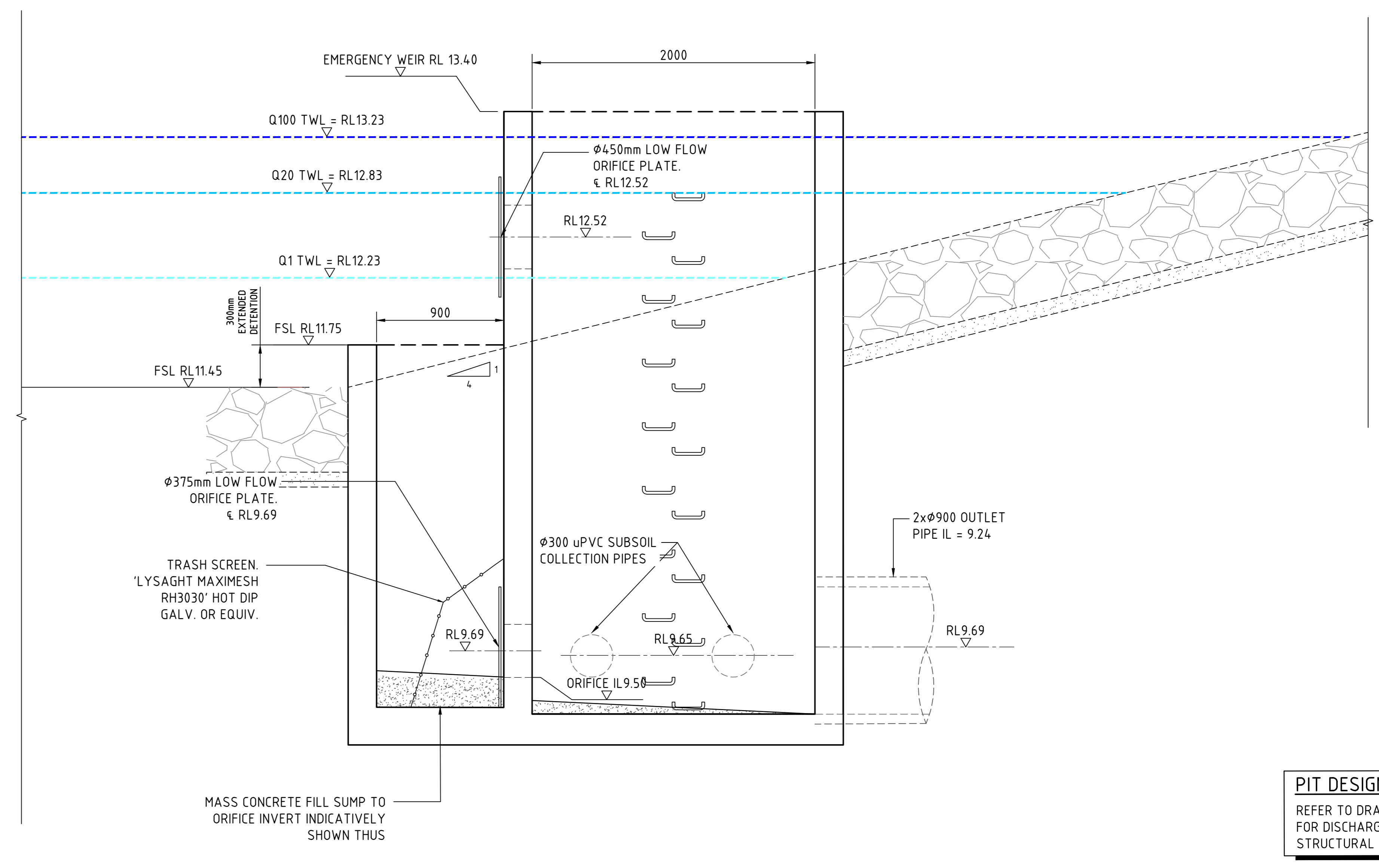
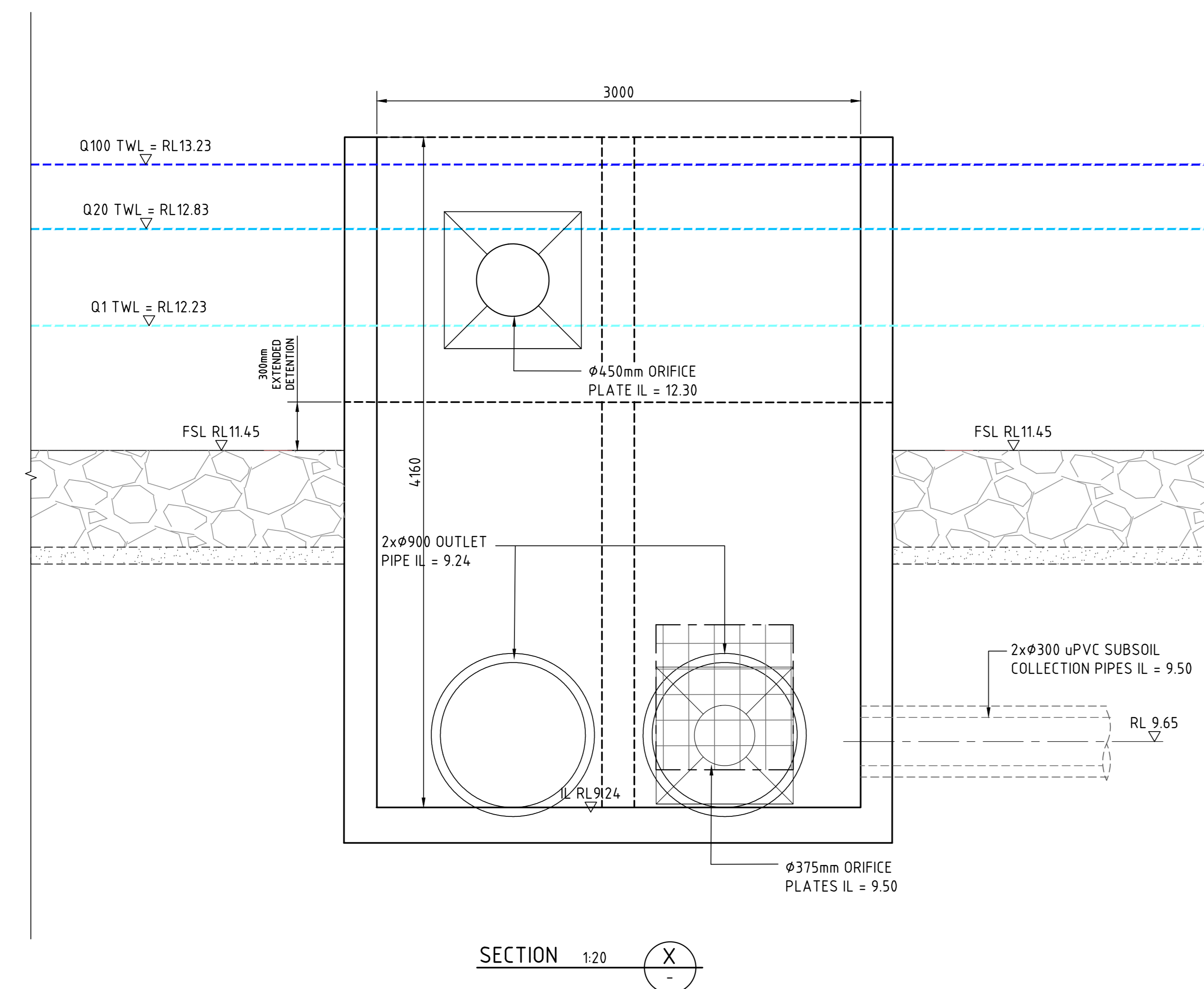


EMERGENCY OVERFLOW WEIR ROCK ENERGY DISSIPATER. REFER TO DETAILS ON DRAWING DWG-0453.

DETAIL 1:20
BASIN 8 INLET / DISCHARGE CONTROL PIT



PIT DESIGN NOTE
REFER TO DRAWING DWG-0489 FOR DISCHARGE CONTROL PIT STRUCTURAL DESIGN

SECTION 1:20 Y

SCALE 1:20 AT A0 SIZE SHEET

FOR CONSTRUCTION

REVISED FOR STRUCTURAL DESIGN NOTE	12.10.20	1
ISSUED FOR CONSTRUCTION	02.10.20	0
50% DESIGN COMPLETION	17.02.20	C
ISSUED FOR POST APPROVALS	29.11.19	B
PRELIMINARY ISSUE ONLY	20.09.19	A
AMENDMENTS	DATE	ISSUE

DEVELOPER	MOOREBANK	QUBE
ARCHITECT	watson young	
PROJECT MANAGER	J. WYNDHAM PRINCE	CONSULTING CIVIL INFRASTRUCTURE ENGINEERS & PROJECT MANAGERS

PROJECT	PRECINCT INFRASTRUCTURE WORKS WEST MOOREBANK AVENUE, MOOREBANK
DESIGNED	D.S.
DRAWN	D.S.
DATE	AUG 19
CHECKED	M.W.
SIZE	A0
SCALE	AS SHOWN
CAD REF:	LPWPIW-COS-CV-DWG-0459

CONSULT AUSTRALIA	Costin Roe Consulting Pty Ltd. Consulting Engineers Level 1, 8 Windmill Street Walsh Bay, Sydney NSW 2000 Tel: (02) 9251-7899 Fax: (02) 9241-3721 email: mail@costinroe.com.au
-------------------	--

PRECISION	COMMUNICATION	ACCOUNTABILITY
-----------	---------------	----------------

DRAWING TITLE	BASIN 8 DISCHARGE CONTROL PIT PLAN & DETAILS
DRAWING NO.	LPWPIW-COS-CV-DWG-0459
ISSUE	1