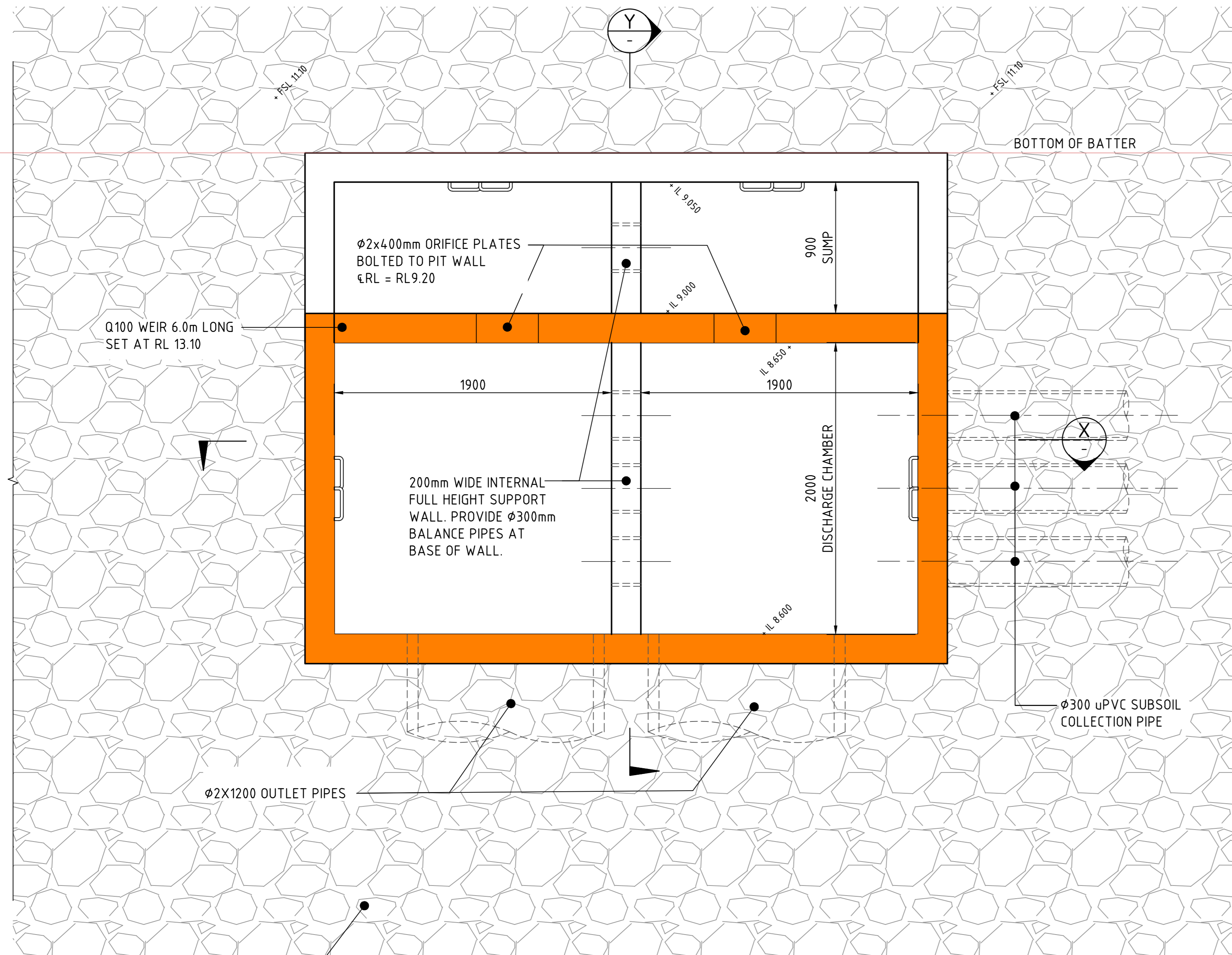
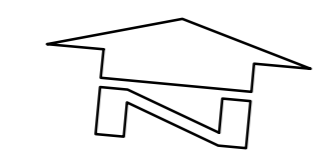


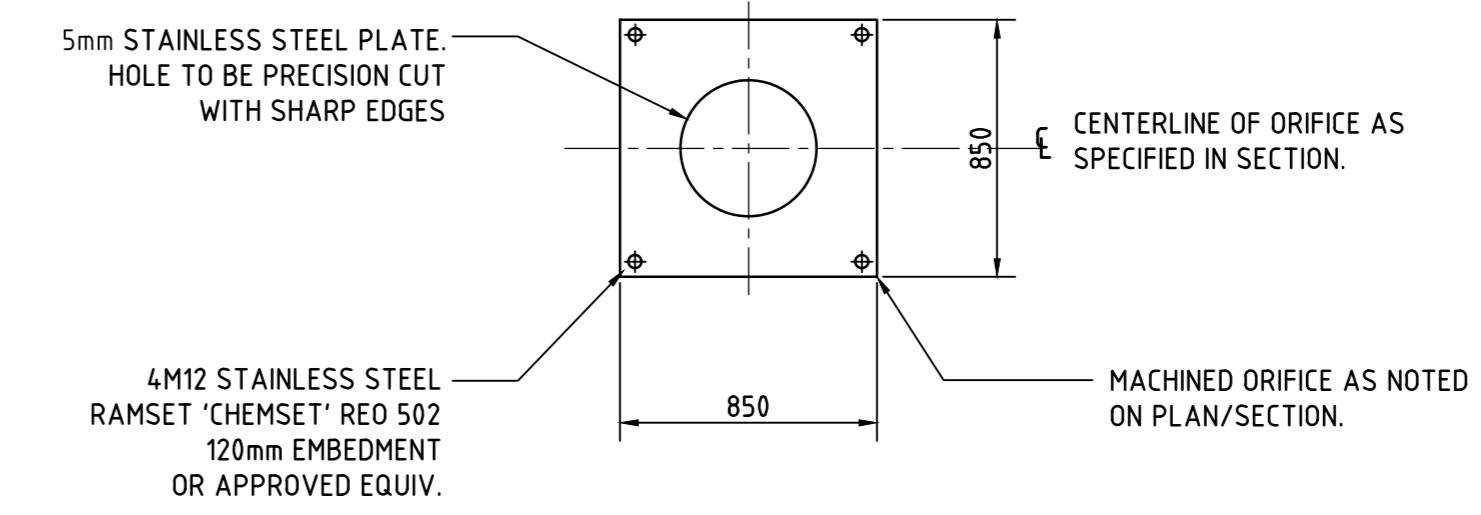
BASIN 6
FFL 11.10



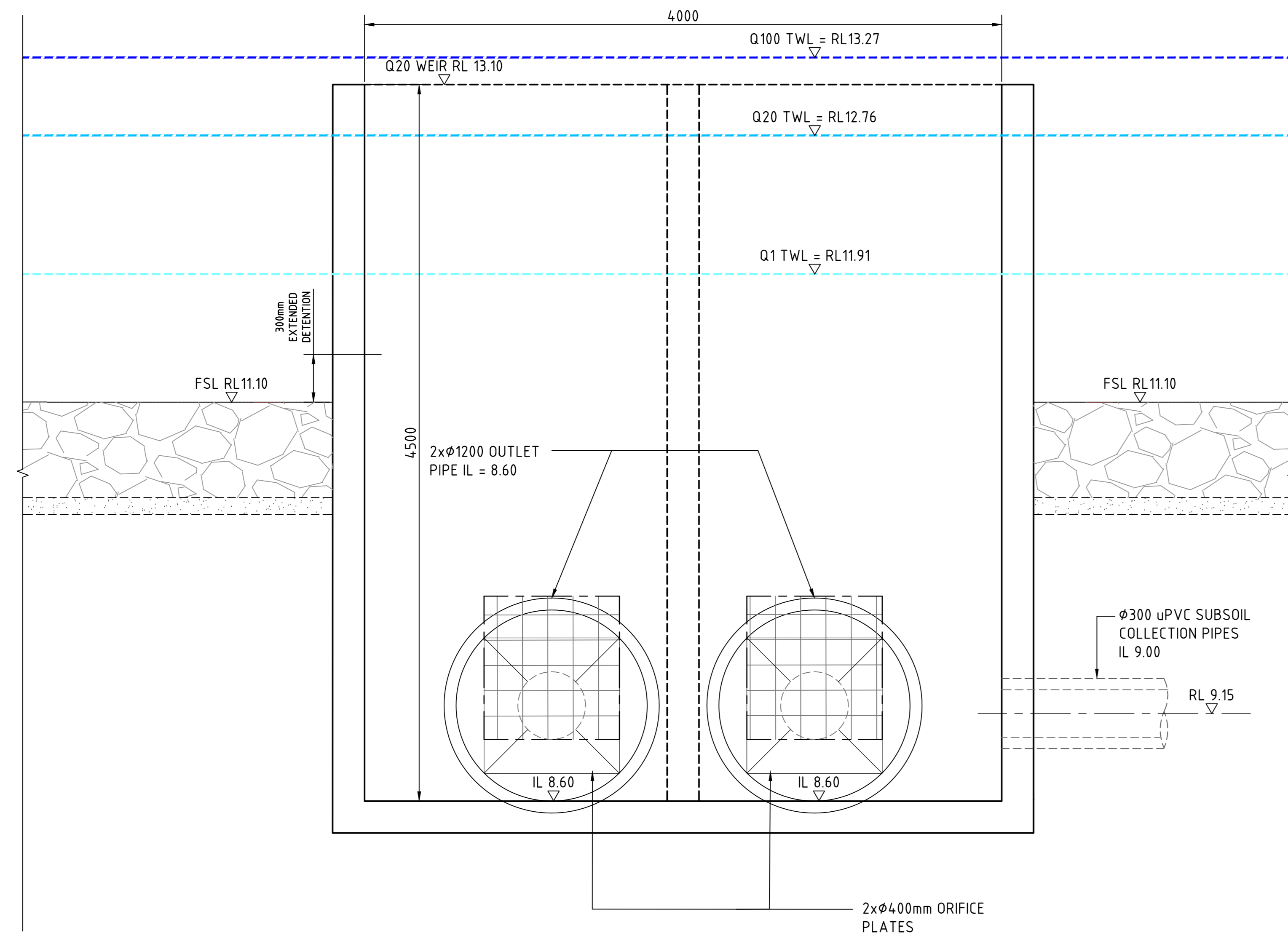
EMERGENCY OVERFLOW WEIR ROCK ENERGY DISSIPATER. REFER TO DETAILS ON DRAWING DWG-0453.



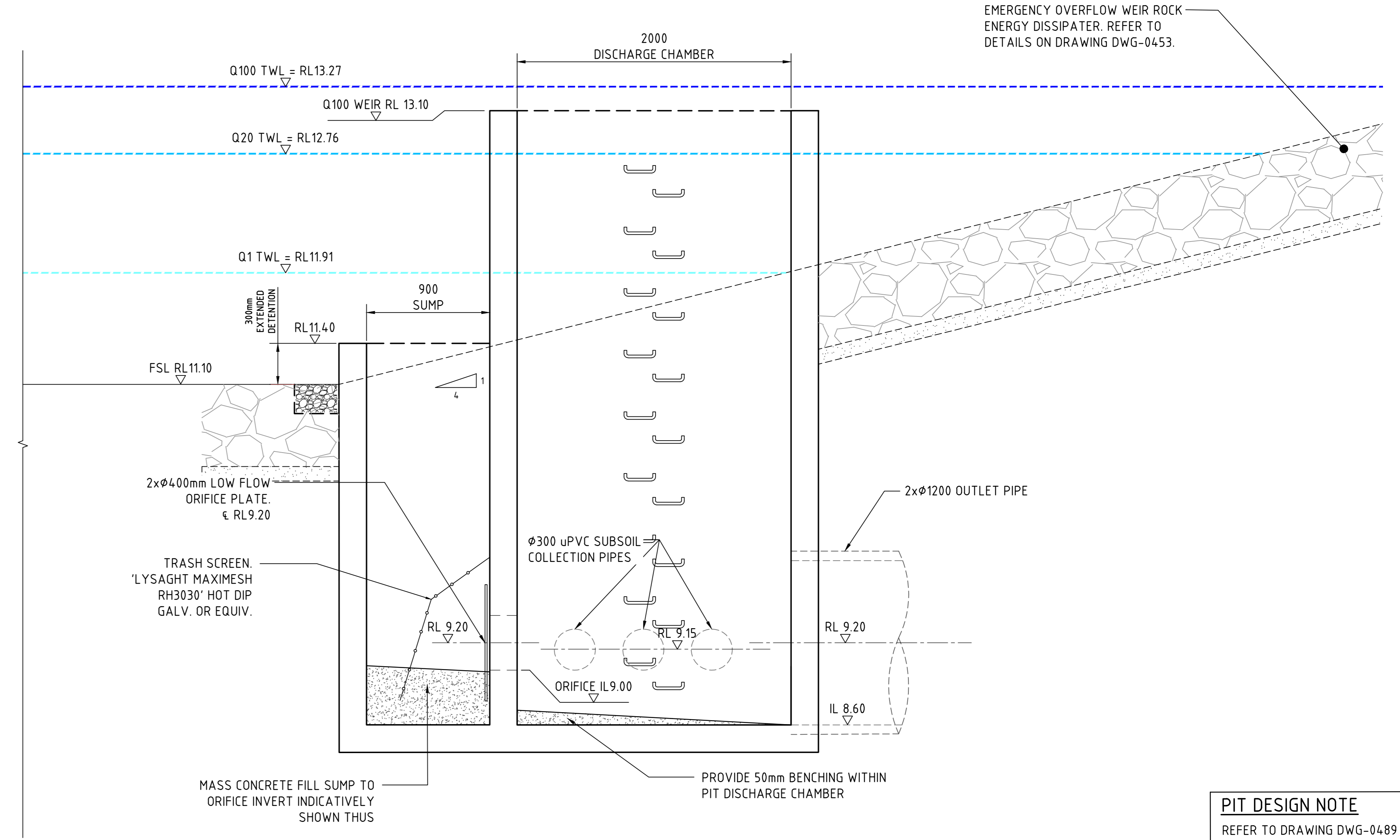
DETAIL 120 A
BASIN 6 INLET / DISCHARGE CONTROL PIT
0455



ORIFICE PLATE DETAIL
SCALE 1:20



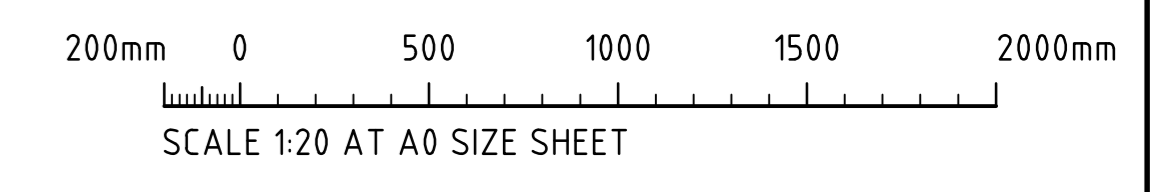
SECTION 1:20 X



SECTION 1:20 Y

EMERGENCY OVERFLOW WEIR ROCK ENERGY DISSIPATER. REFER TO DETAILS ON DRAWING DWG-0453.

PIT DESIGN NOTE
REFER TO DRAWING DWG-0489 FOR DISCHARGE CONTROL PIT STRUCTURAL DESIGN



FOR CONSTRUCTION

AMENDMENTS	DATE	ISSUE	AMENDMENTS	DATE	ISSUE
REVISED FOR STRUCTURAL DESIGN NOTE	12.10.20	1			
ISSUED FOR CONSTRUCTION	02.10.20	0			
50% DESIGN COMPLETION	17.02.20	C			
ISSUED FOR POST APPROVALS	29.11.19	B			
PRELIMINARY ISSUE ONLY	20.09.19	A			

DEVELOPER

ARCHITECT

PROJECT MANAGER

PROJECT

PRECINCT INFRASTRUCTURE WORKS WEST
MOOREBANK AVENUE, MOOREBANK

Costin Roe Consulting Pty Ltd.
Consulting Engineers

Level 1, 8 Windmill Street
Wahlab Bay, Sydney NSW 2000
Tel: (02) 9551-7899 Fax: (02) 9541-3721
email: mail@costinroe.com.au

Costin Roe Consulting

PRECISION | COMMUNICATION | ACCOUNTABILITY

DRAWING TITLE

BASIN 6 DISCHARGE CONTROL PIT PLAN & DETAILS

DRAWING No. LPWPIW-COS-CV-DWG-0458

ISSUE 1