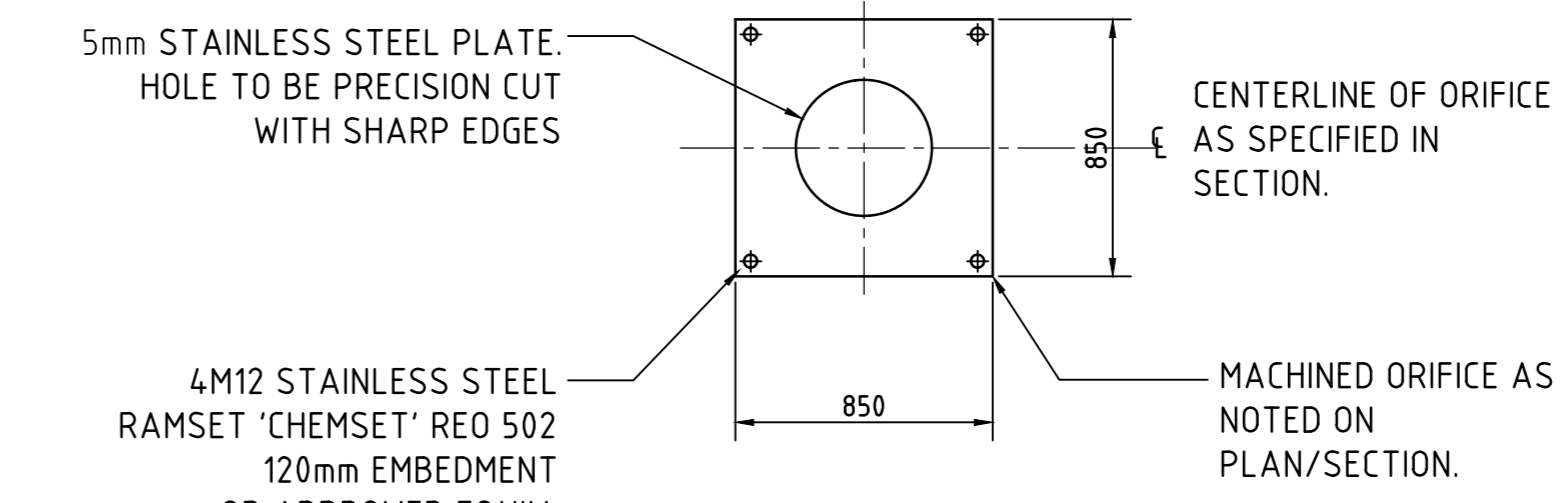
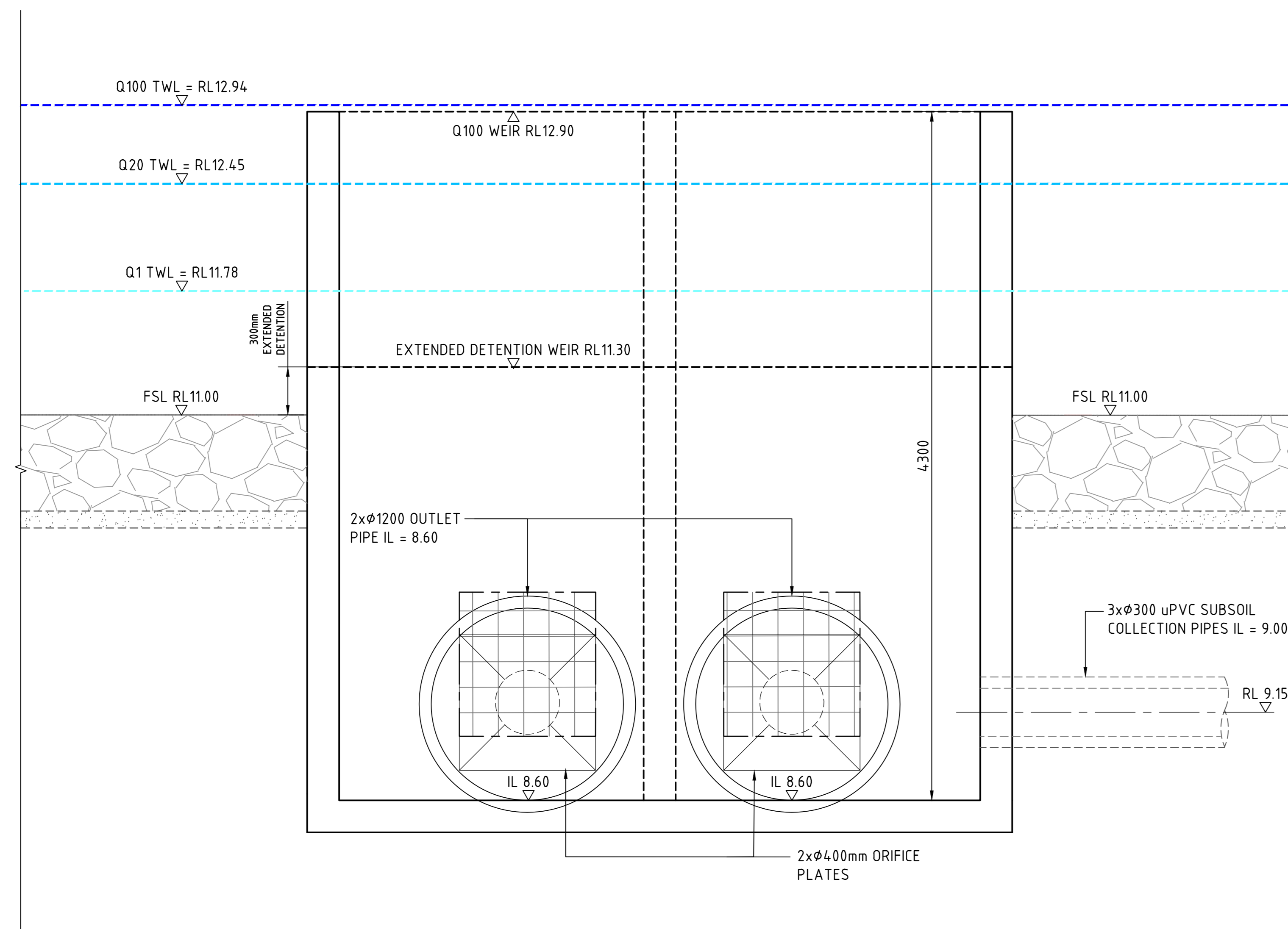


EMERGENCY OVERFLOW WEIR ROCK ENERGY DISSIPATER. REFER TO DETAILS ON DRAWING DWG-0453.

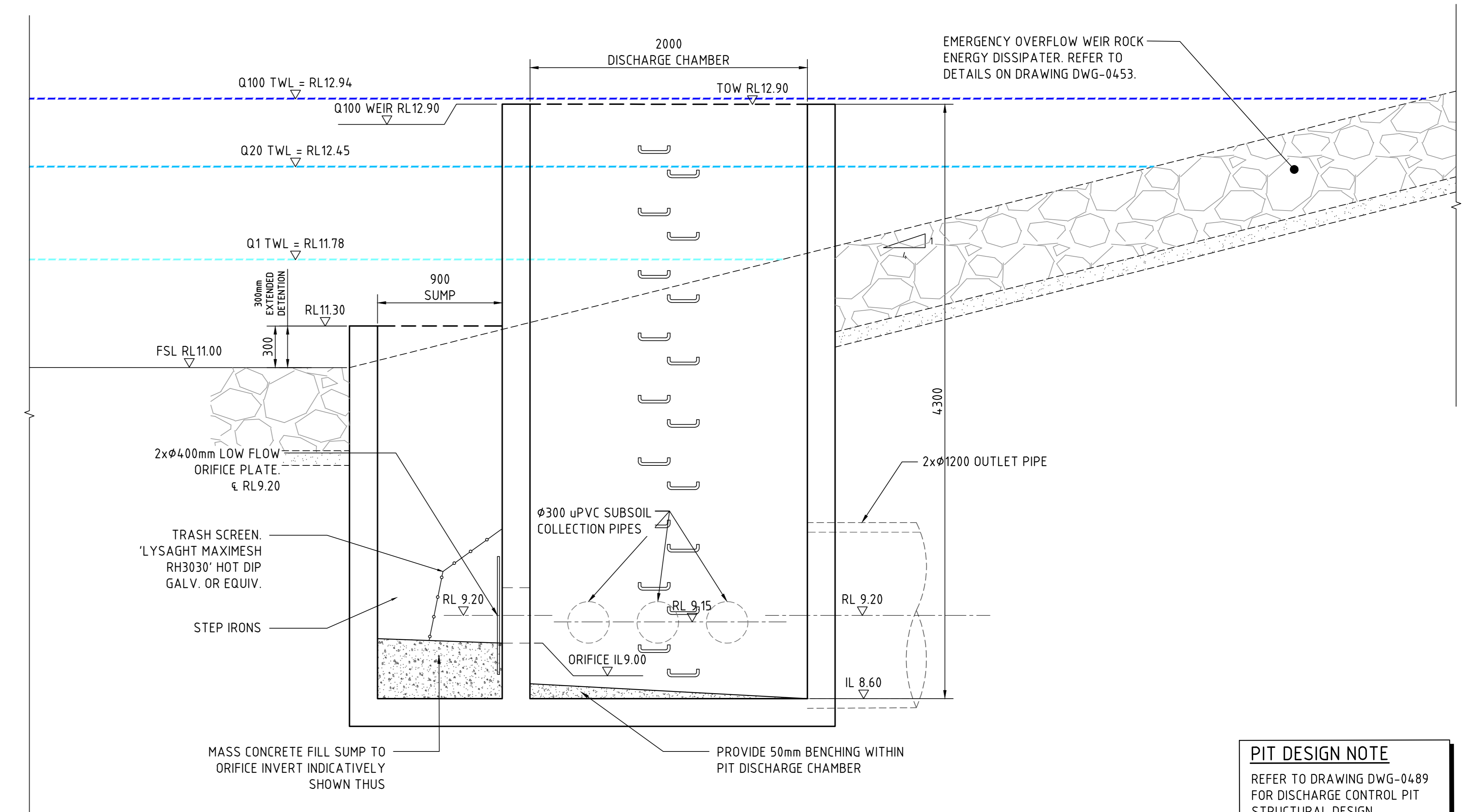
DETAIL 1:20
BASIN 5 INLET/
DISCHARGE CONTROL PIT
A/0454



ORIFICE PLATE DETAIL
SCALE 1:20

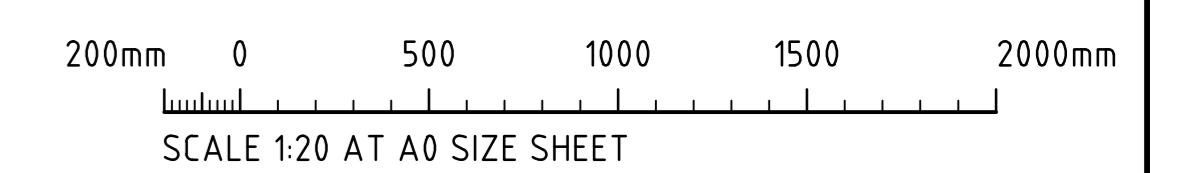


SECTION 1:20 X



SECTION 1:20 Y

PIT DESIGN NOTE
REFER TO DRAWING DWG-0489 FOR DISCHARGE CONTROL PIT STRUCTURAL DESIGN



FOR CONSTRUCTION

REVISED FOR STRUCTURAL DESIGN NOTE	12.10.20	1
ISSUED FOR CONSTRUCTION	02.10.20	0
50% DESIGN COMPLETION	17.02.20	C
ISSUED FOR POST APPROVALS	29.11.19	B
PRELIMINARY ISSUE ONLY	20.09.19	A
AMENDMENTS	DATE	ISSUE

DEVELOPER	ARCHITECT	PROJECT MANAGER
MOOREBANK	watson young	J. WYNDHAM PRINCE
QUBE		CONSULTING CIVIL INFRASTRUCTURE ENGINEERS & PROJECT MANAGERS



DESIGNED	DRAWN	DATE	CHECKED	SIZE	SCALE	CAD REF:
D.S.	D.S.	AUG 19	M.W.	A0	AS SHOWN	LPWPIW-COS-CV-DWG-0454

PROJECT
PRECINCT INFRASTRUCTURE WORKS WEST
MOOREBANK AVENUE, MOOREBANK



PRECISION	COMMUNICATION	ACCOUNTABILITY
DRAWING TITLE BASIN 5 DISCHARGE CONTROL PIT PLAN & HYDRAULIC DETAILS		
DRAWING No. LPWPIW-COS-CV-DWG-0457		
ISSUE 1		