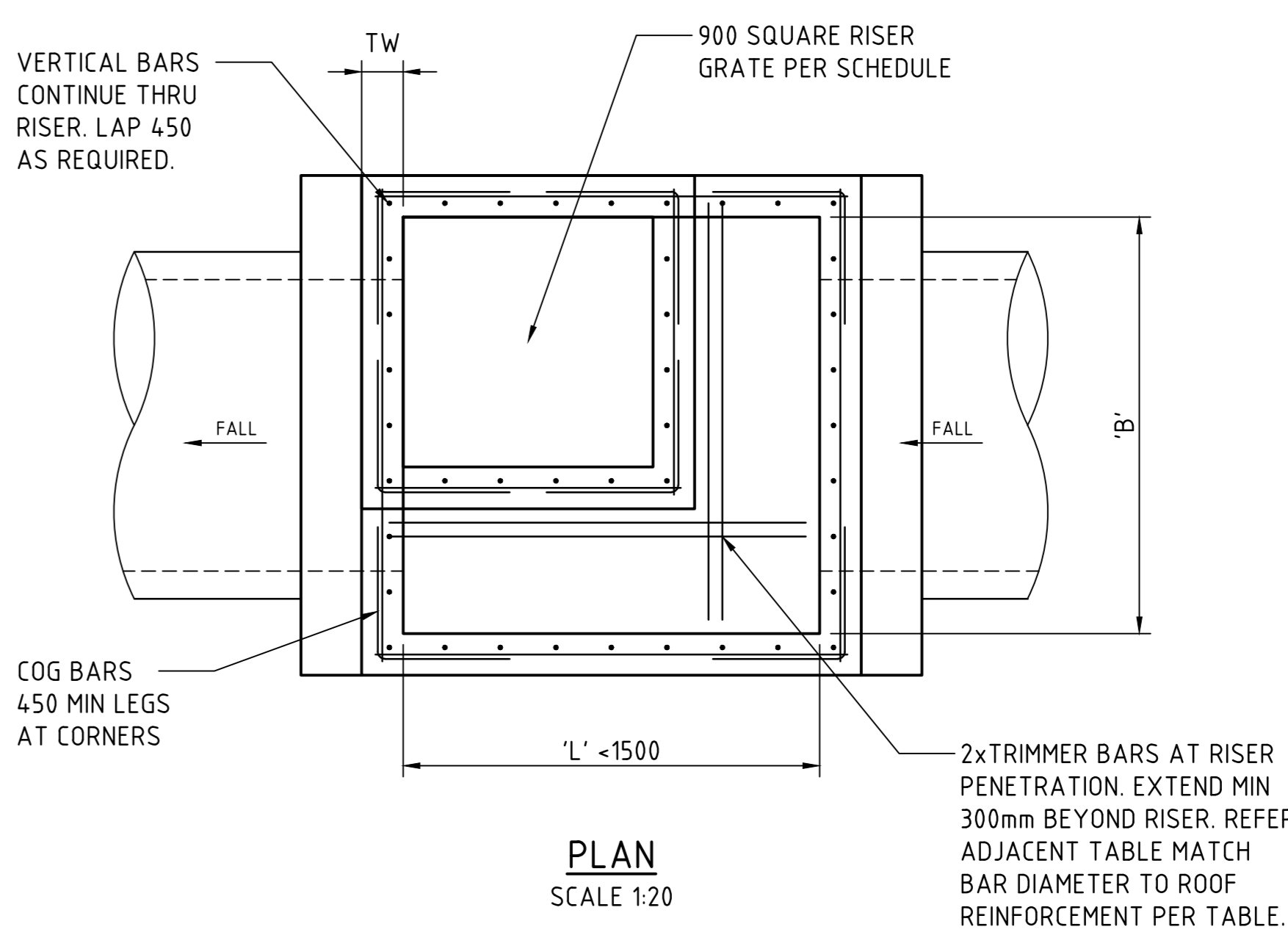
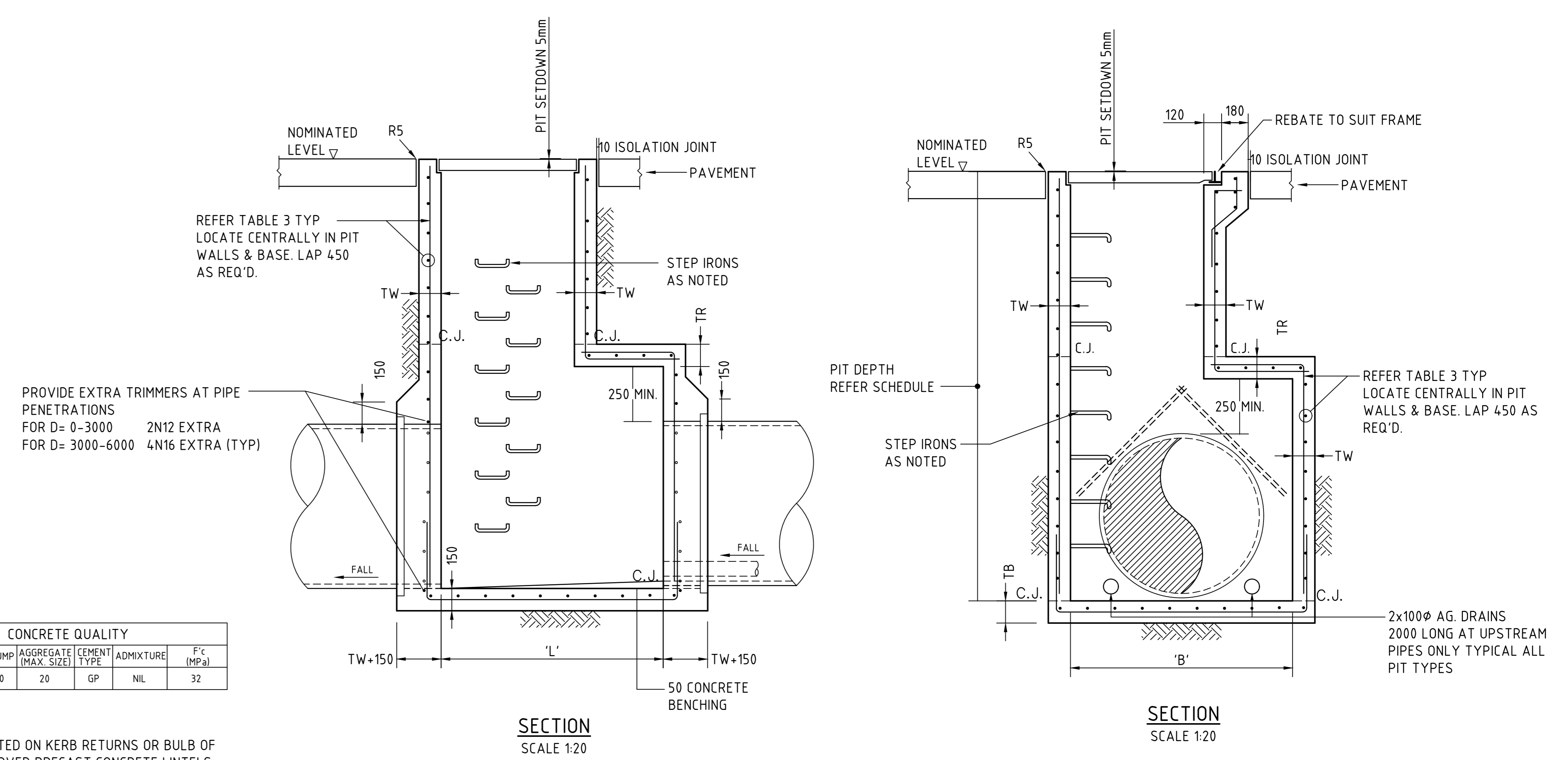


TAPERED KERB INLET PIT - KIP
MAX 1800mm WIDE
SUBSOIL NOT SHOWN FOR CLARITY. APPLICABLE FOR THE FOLLOWING PITS:
R5-B04/01
R5-B04/04
R5-B04/06
R6-A01/11
R6-B05/01
R6-C01/01

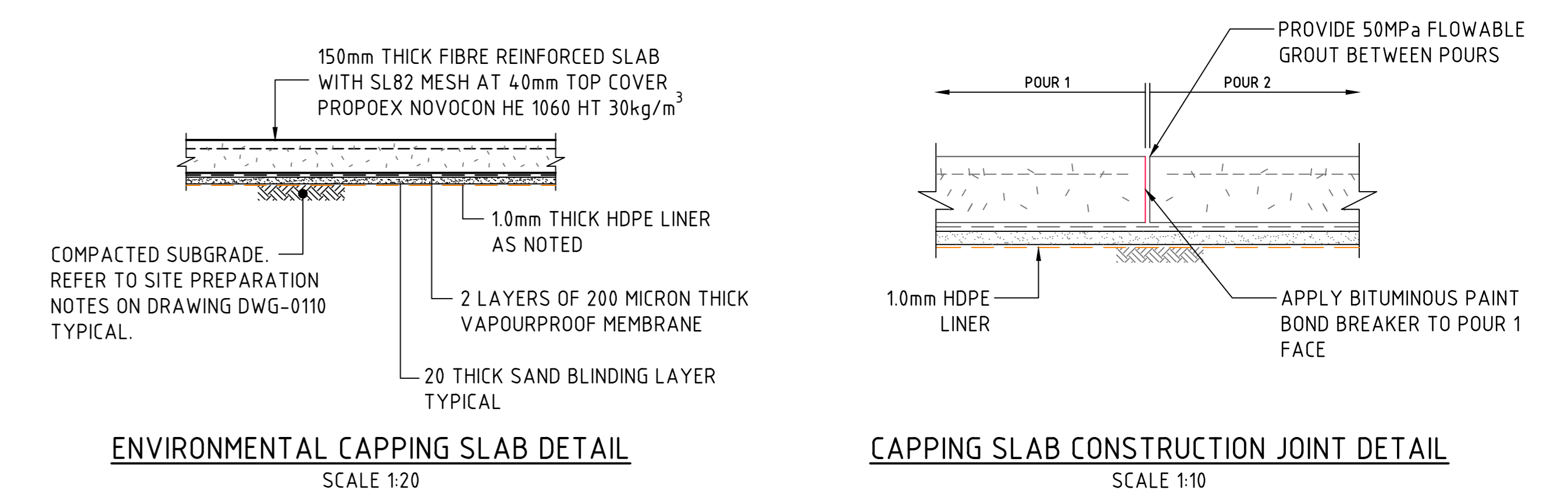
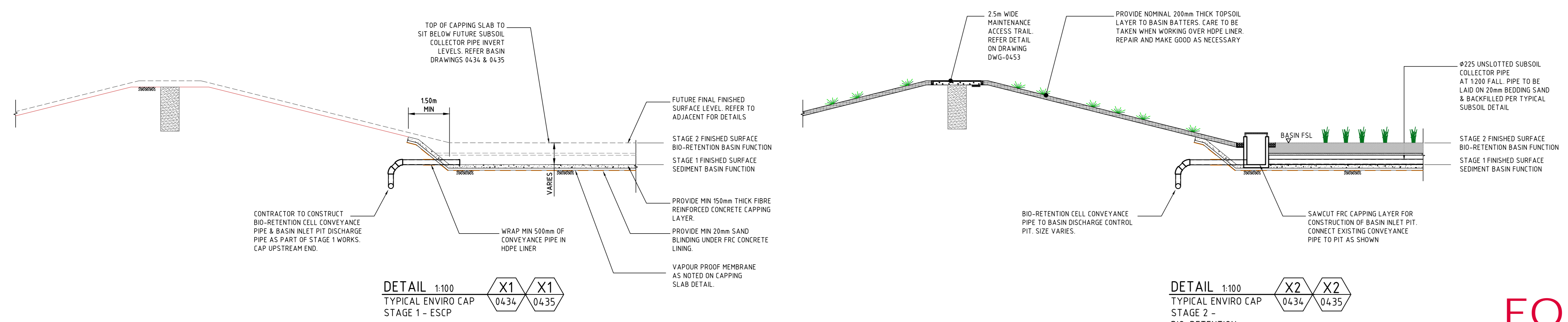
ELEMENT	SLUMP	AGGREGATE MAX. SIZE	CEMENT TYPE	ADMIXTURE	F/c (MPa)
PIT	80	20	GP	NL	32

- NOTES:**
- WHERE GULLY PIT IS LOCATED ON KERB RETURNS OR BULB OF CUL-DE-SACS PROVIDE CURVED PRECAST CONCRETE LINTELS.
 - SAG PITS SHALL HAVE LINTEL PLACED CENTRALLY ABOUT THE GRATE.
 - ALL REINFORCING TO HAVE 30 MIN. CLEAR CONCRETE COVER.
 - FOR PITS DEEPER THAN 1200mm STEP IRONS SHALL BE PROVIDED.
 - FOR ALL PITS IN ITV PAVEMENT AREAS, PIT WALLS ARE TO BE INCREASED IN THICKNESS BY 50mm AND REINFORCEMENT TO BE N16 BARS IN LIEU OF N12

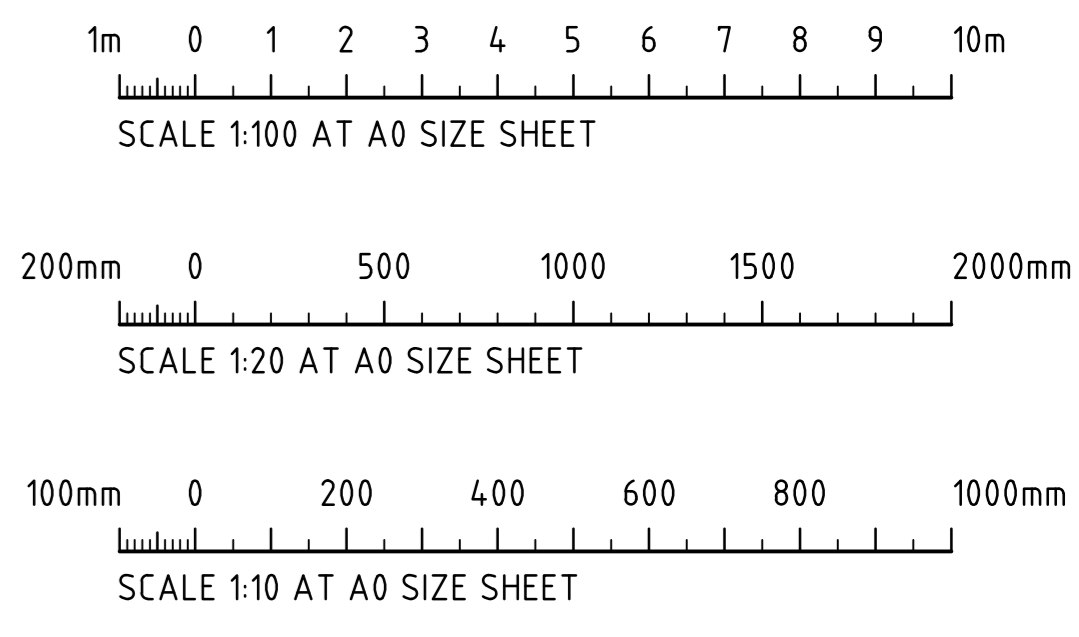
DEPTH 'H'	WALL THICKNESS 'TW'	WALL REINFORCEMENT	ROOF THICKNESS 'TR'	ROOF REINFORCEMENT	BASE THICKNESS 'TB'	BASE REINFORCEMENT
3.0m MAX	250mm	N16-200 EACH WAY	220mm	N16-200 EACH WAY	250mm	N16-200 EACH WAY



TAPERED SINGLE GRATED GULLY PIT - SGGP
MAX 1800mm WIDE
SUBSOIL NOT SHOWN FOR CLARITY. APPLICABLE FOR THE FOLLOWING PITS:
R6-B01/07
R8-A01/08
R8-A01/09



ELEMENT	SLUMP	AGGREGATE MAX. SIZE	CEMENT TYPE	ADMIXTURE	F/c (MPa)
CAPPING	80	20	GP	NL	32



FOR CONSTRUCTION