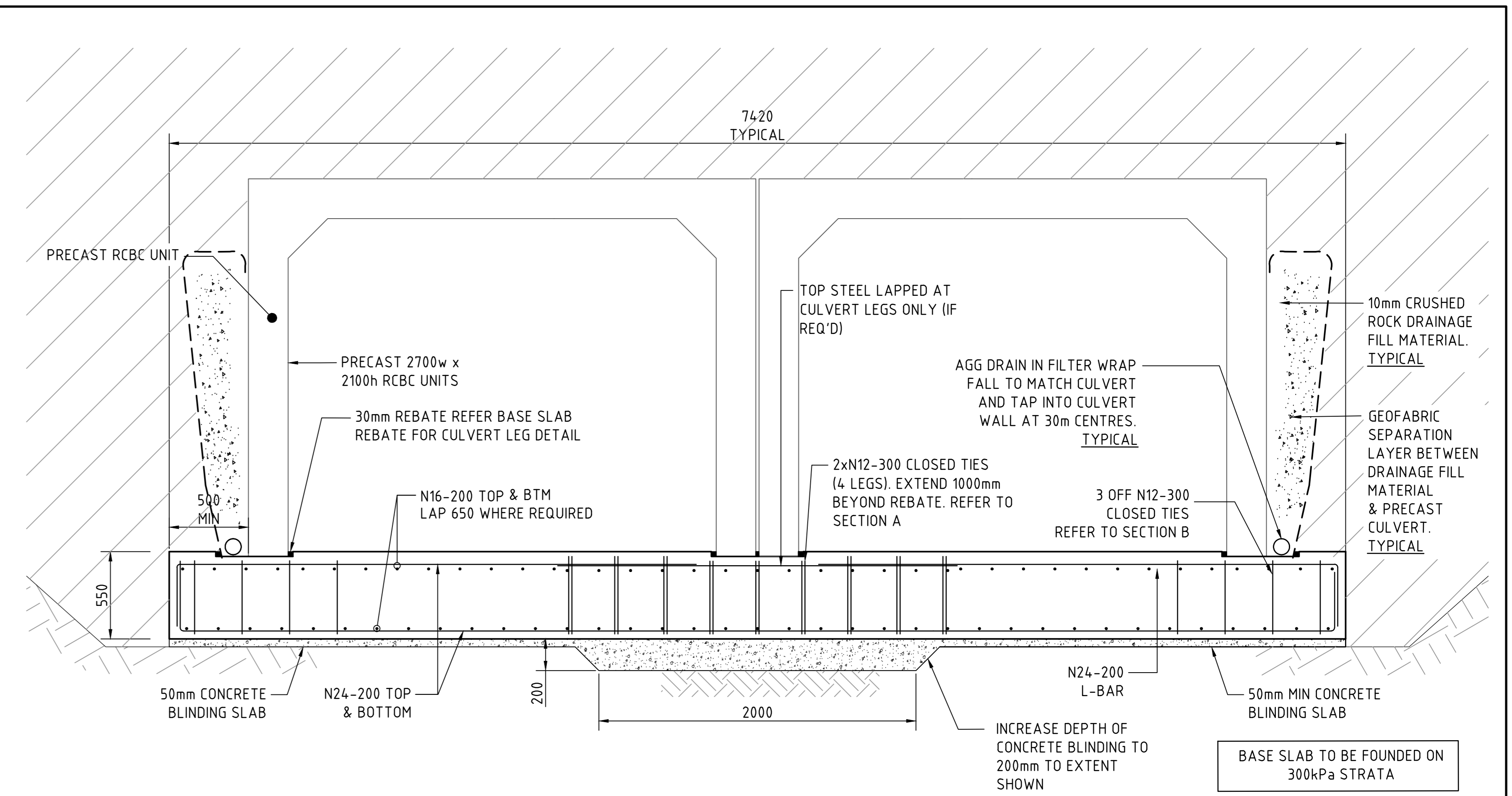
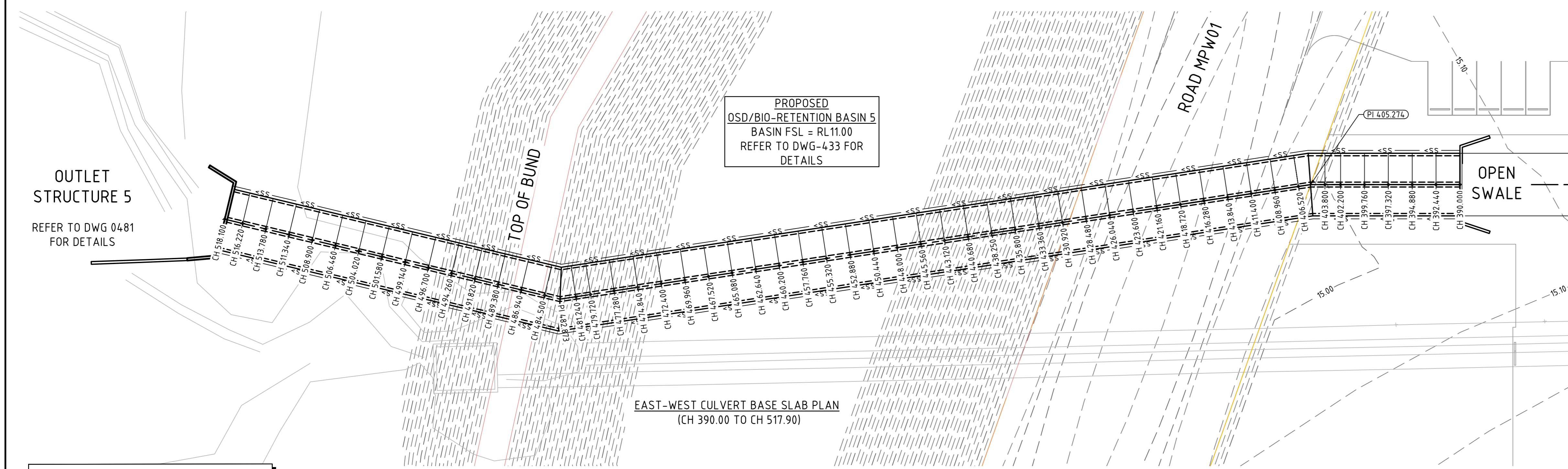


EAST-WEST CULVERT BASE SLAB PLAN - EAST
1:250 SCALE

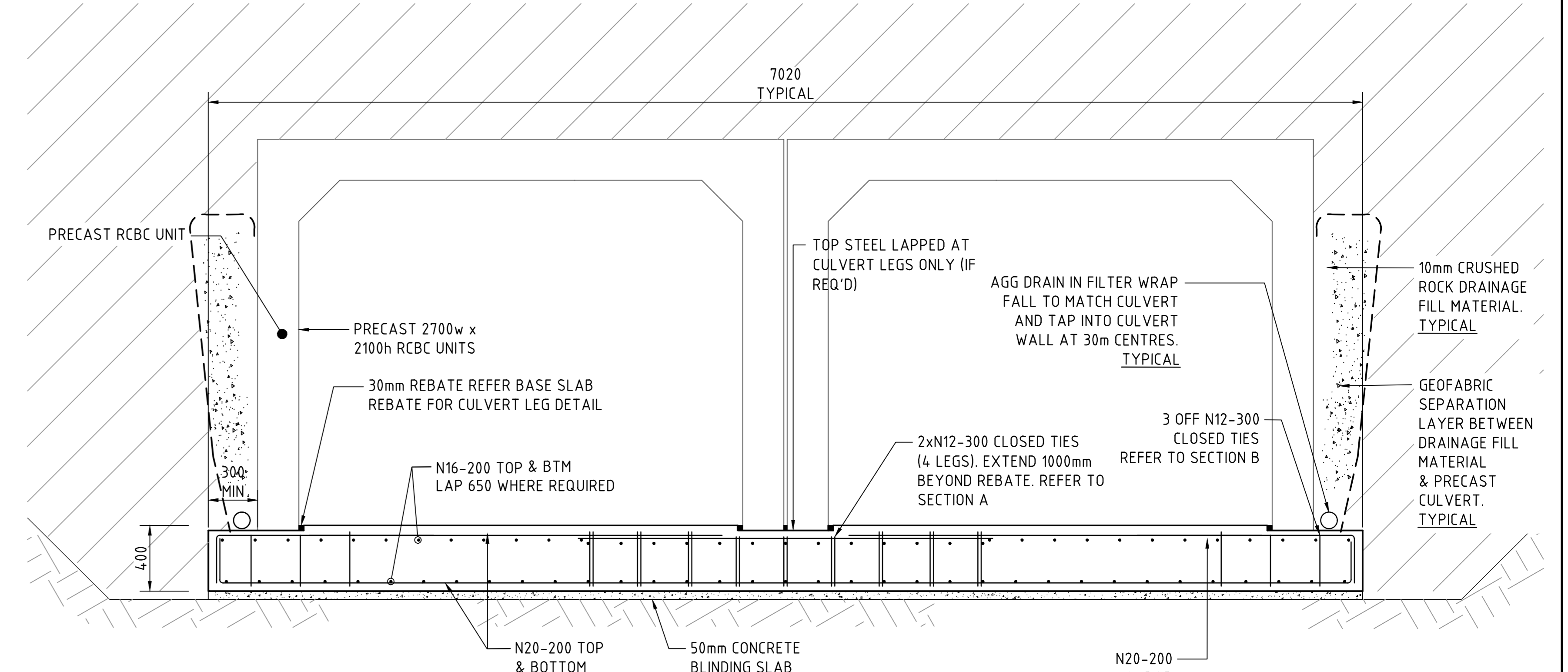


EAST/WEST CULVERT BASE SLAB STRUCTURAL DETAILS
CH0.00-CH136.00
SCALE 1:20

DESIGN LOADS
40kPa LIVE LOAD
240kN RAIL SLEEPER LOAD
4.7m FILL



EAST-WEST CULVERT BASE SLAB PLAN - WEST
1:250 SCALE



EAST/WEST CULVERT BASE SLAB STRUCTURAL DETAILS
CH390.00-CH517.90
SCALE 1:20

DESIGN LOADS
20kPa LIVE LOAD
8.0m FILL

NOTE:
60 TOP COVER TO STEEL REINFORCEMENT
45 BOTTOM COVER TO STEEL REINFORCEMENT

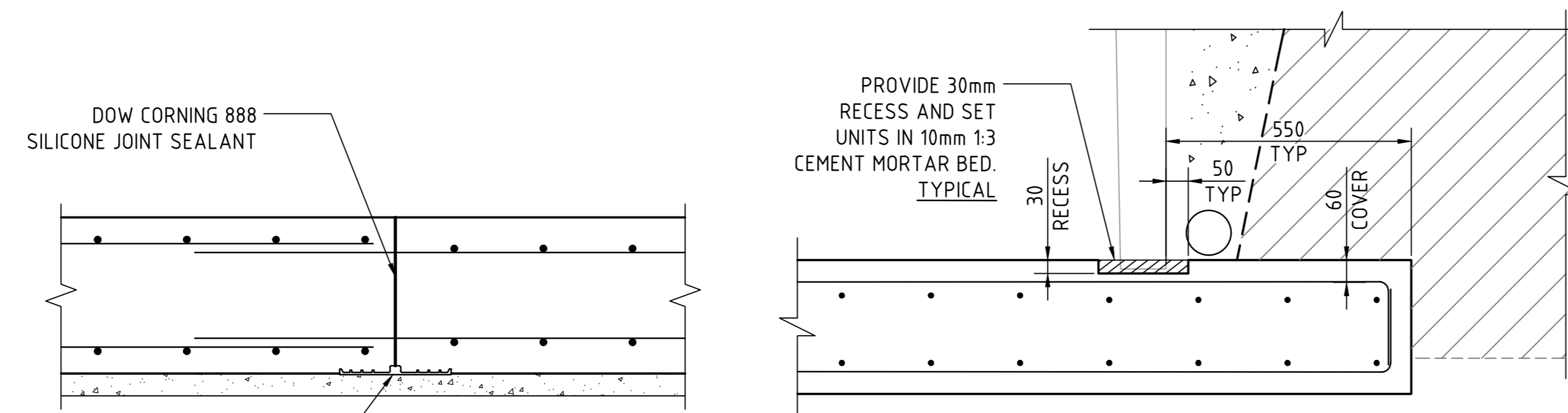
EXPOSURE CLASSIFICATION B1

CONCRETE QUALITY			
ELEMENT	SLUMP	AGGREGATE (MAX SIZE)	AD MIXTURE
BASE SLAB	80	20	SL NIL 40
BLINDING	230	10	SL NIL 32

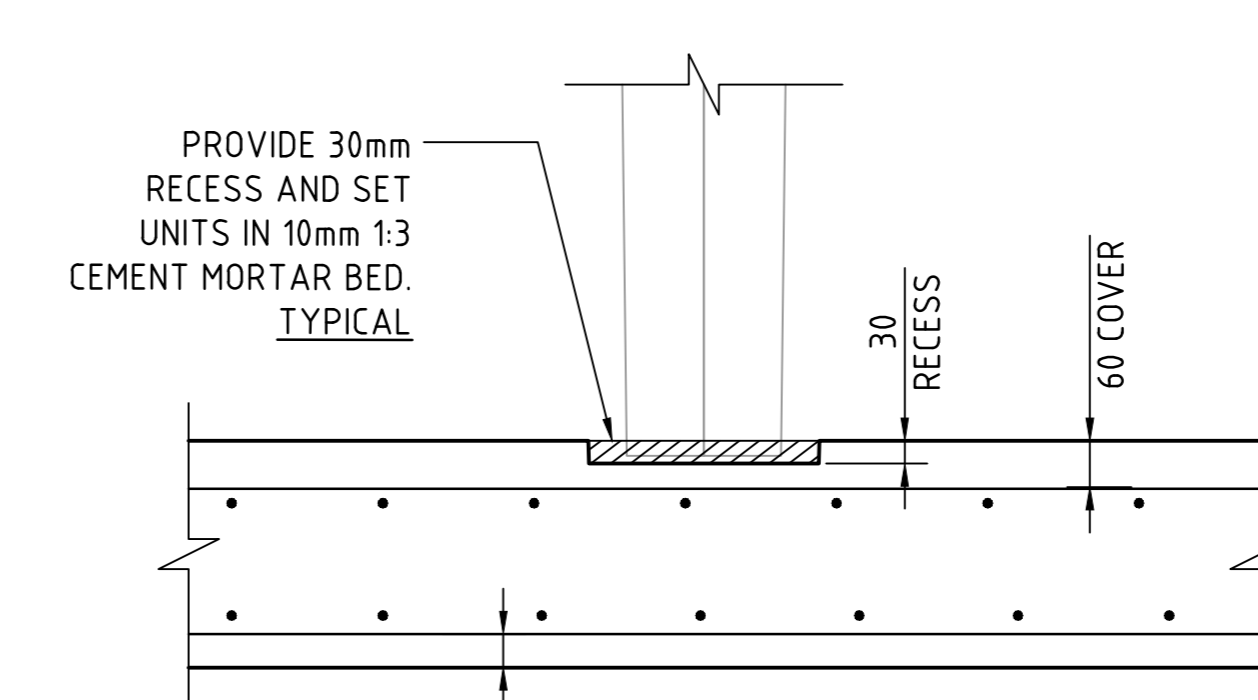
BAR DIAMETER	MIN LAP LENGTH (mm)	MIN COG LENGTH (mm)
N12	500	180
N16	750	210
N20	1000	260
N24	1200	320

U.N.O. ABOVE

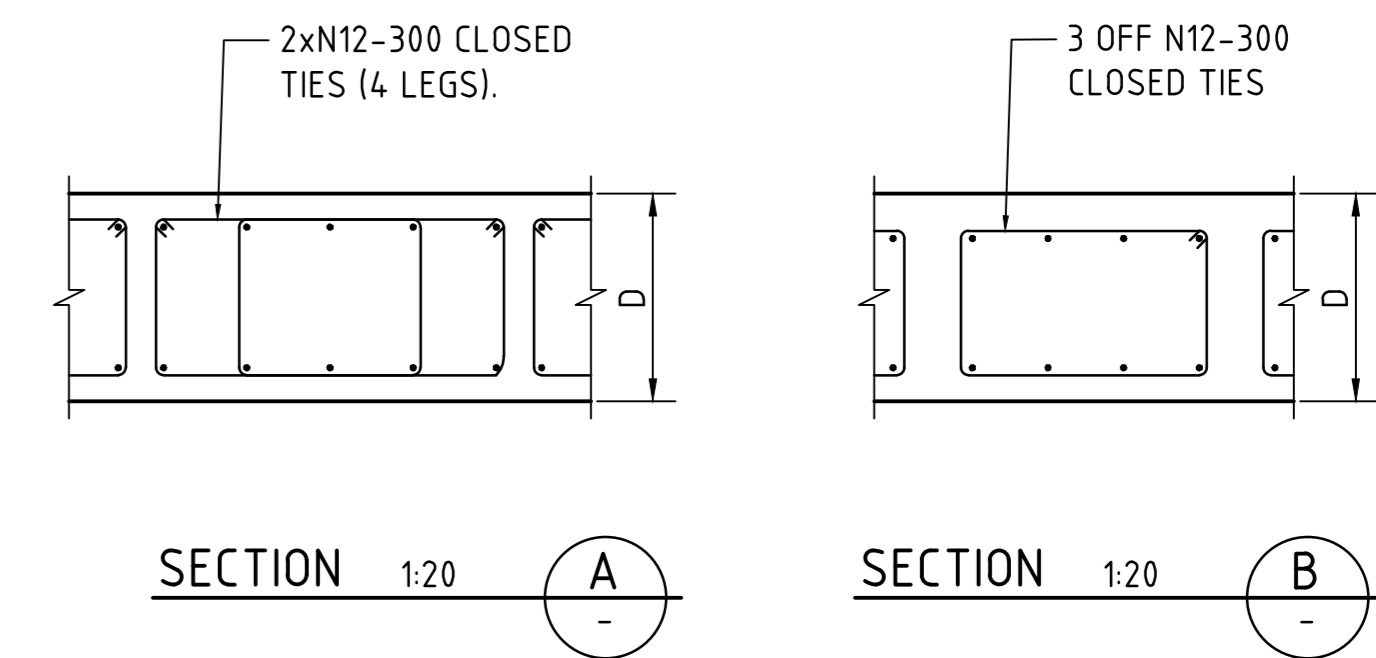
- NOTES:**
- EXTERNAL CONSULTANT NOTE:
EXTERNAL DESIGNS SHOWN ARE INDICATIVE FOR PRICING PURPOSES ONLY.
FOR FURTHER DESIGN INFORMATION, REFER TO THE BELOW RESPECTIVE CONSULTANT'S DESIGN PACKAGES.
- ARCADIS - MPW (MOOREBANK PRECINCT WEST LOOP ROAD - LPMW-ARC-CV-DWG)
 - AURECON - INTS (INTERSTATE RAIL FACILITY - INTS-AUR-PV-SKCI)
 - AURECON - RALP (INTERMODAL TERMINAL DEVELOPMENT - N01031-PWD-DRG-GEN)
 - NORTHROP - MALIW (MOOREBANK AVENUE UPGRADE WORKS - MALIW-NRP-CV-DWG)
 - NORTHROP - MADR (MOOREBANK AVENUE DIVERSION ROAD - MADR-NRP-CV-DWG)
 - NORTHROP - MAAI (MOOREBANK AVENUE ANZAC ROAD INTERSECTION - MAAI-NRP-CV-DWG)



CONSTRUCTION JOINT INSITU BASE SLAB
SCALE 1:10

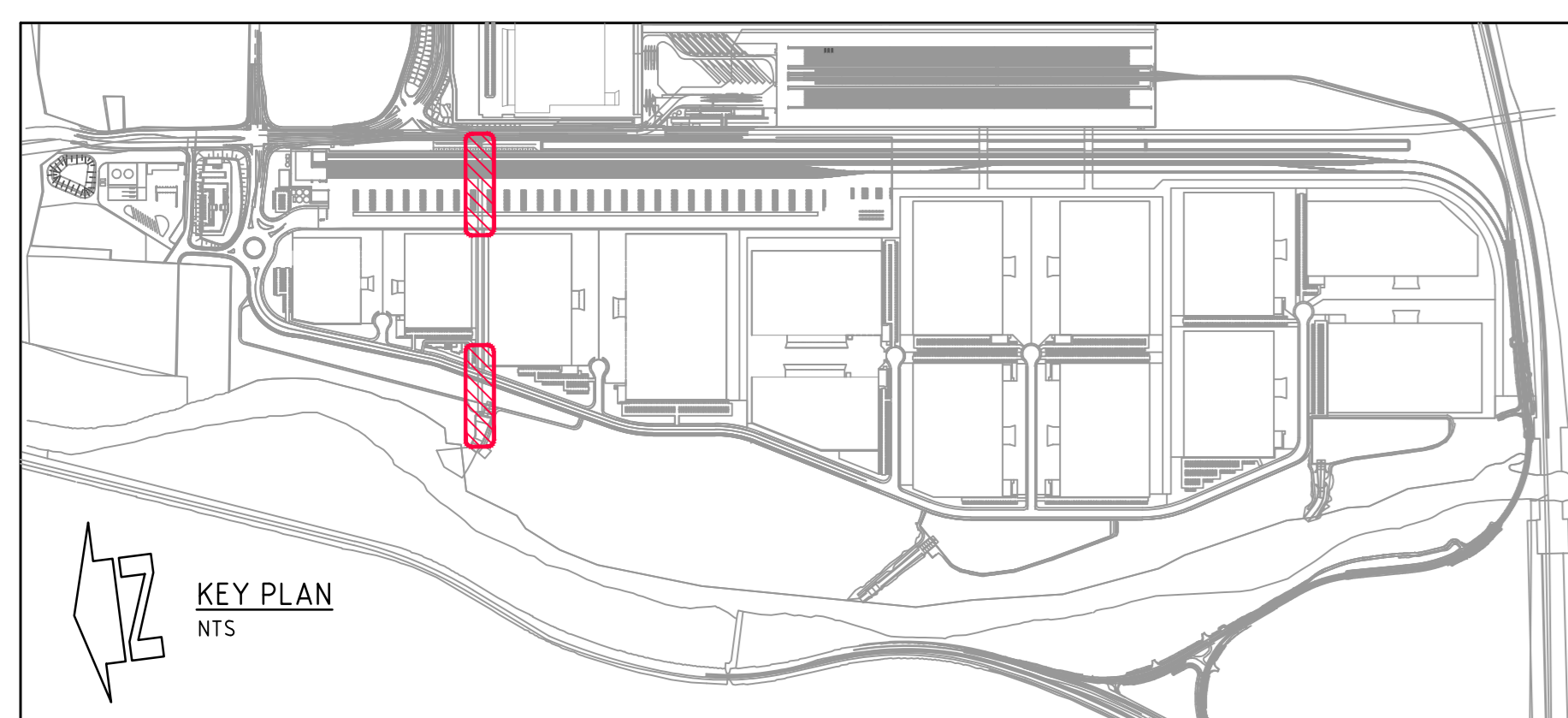
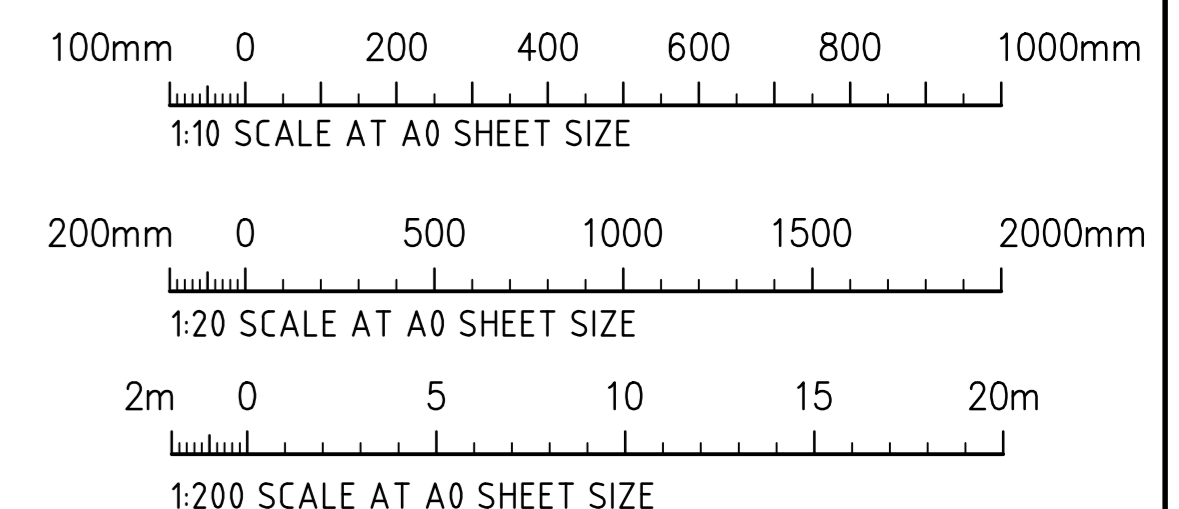


DETAIL 1-10
SCALE 1:10



SECTION 1:20 A

SECTION 1:20 B



REVISION	DATE	ISSUE
REVISED FOR AMENDED RAIL LOADING	12.10.20	3
REVISED DESIGN LOADS	02.07.20	2
ISSUED FOR CONSTRUCTION	07.04.20	1
ISSUED FOR CONSTRUCTION	03.04.20	0
ISSUED FOR INFORMATION	21.02.20	B
ISSUED FOR INFORMATION	20.12.19	A
AMENDMENTS	DATE	ISSUE

DEVELOPER: **MOOREBANK**

ARCHITECT: **watson young**

PROJECT MANAGER: **J. WYNDHAM PRINCE**
CONSULTING CIVIL INFRASTRUCTURE ENGINEERS & PROJECT MANAGERS

PROJECT: **PRECINCT INFRASTRUCTURE WORKS WEST**
MOOREBANK AVENUE, MOOREBANK

Costin Roe Consulting Pty Ltd.
Consulting Engineers
Level 1, 8 Windmill Street
Wahlab Bay, Sydney NSW 2000
Tel: (02) 9551-7899 Fax: (02) 9541-3721
email: mail@costinroecorp.com.au

Costin Roe Consulting

PRECISION | COMMUNICATION | ACCOUNTABILITY

DRAWING TITLE: **EAST-WEST CULVERT BASE SLAB PLAN & DETAILS**

DRAWING No: **LPWPIW-COS-CV-DWG-0449**

ISSUE: **6**

FOR CONSTRUCTION