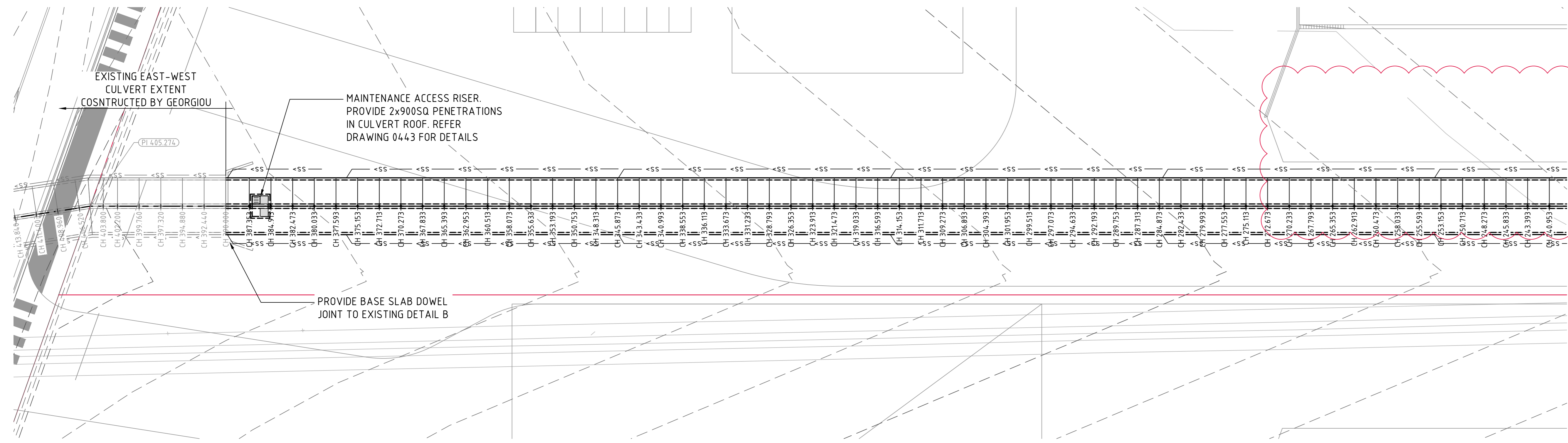


EAST-WEST CULVERT BASE SLAB PLAN - INFILL
1:250 SCALE



EAST-WEST CULVERT BASE SLAB PLAN - INFILL
1:250 SCALE

NOTE:
60 TOP COVER TO STEEL REINFORCEMENT
45 BOTTOM COVER TO STEEL REINFORCEMENT

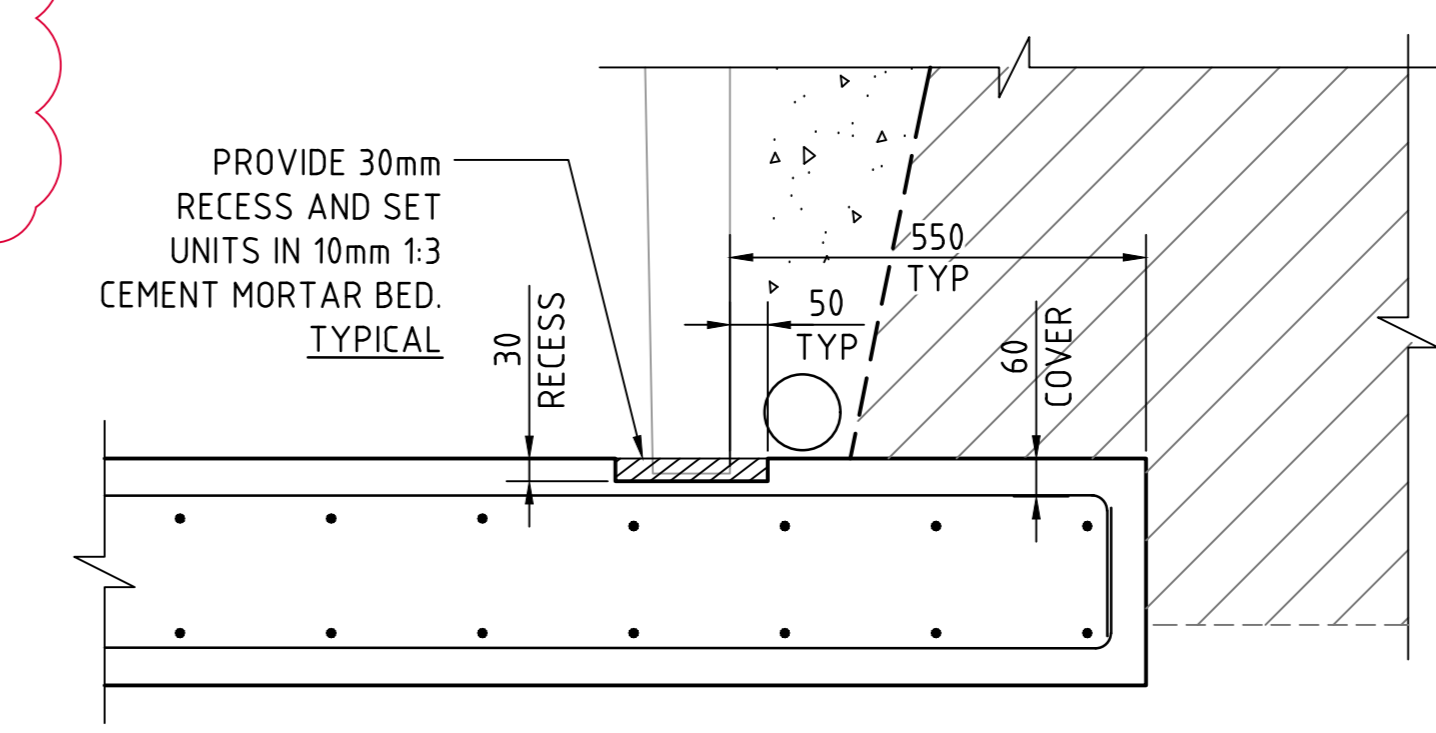
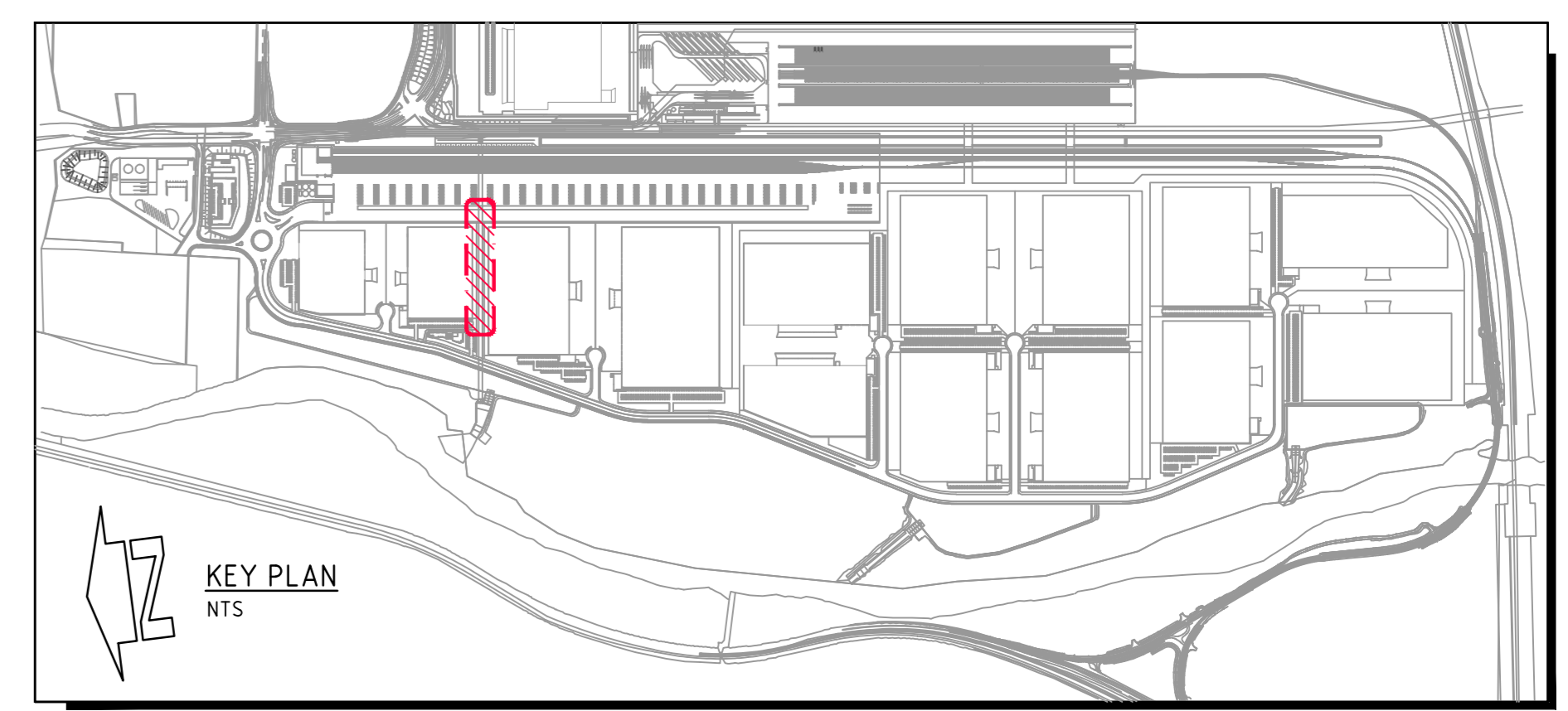
EXPOSURE CLASSIFICATION B1

CONCRETE QUALITY					
ELEMENT	SLUMP	AGGREGATE (MAX. SIZE)	CEMENT TYPE	ADDMIXTURE	F _c (MPa)
BASE SLAB	80	20	SL	NIL	40
BLINDING	230	10	SL	NIL	32

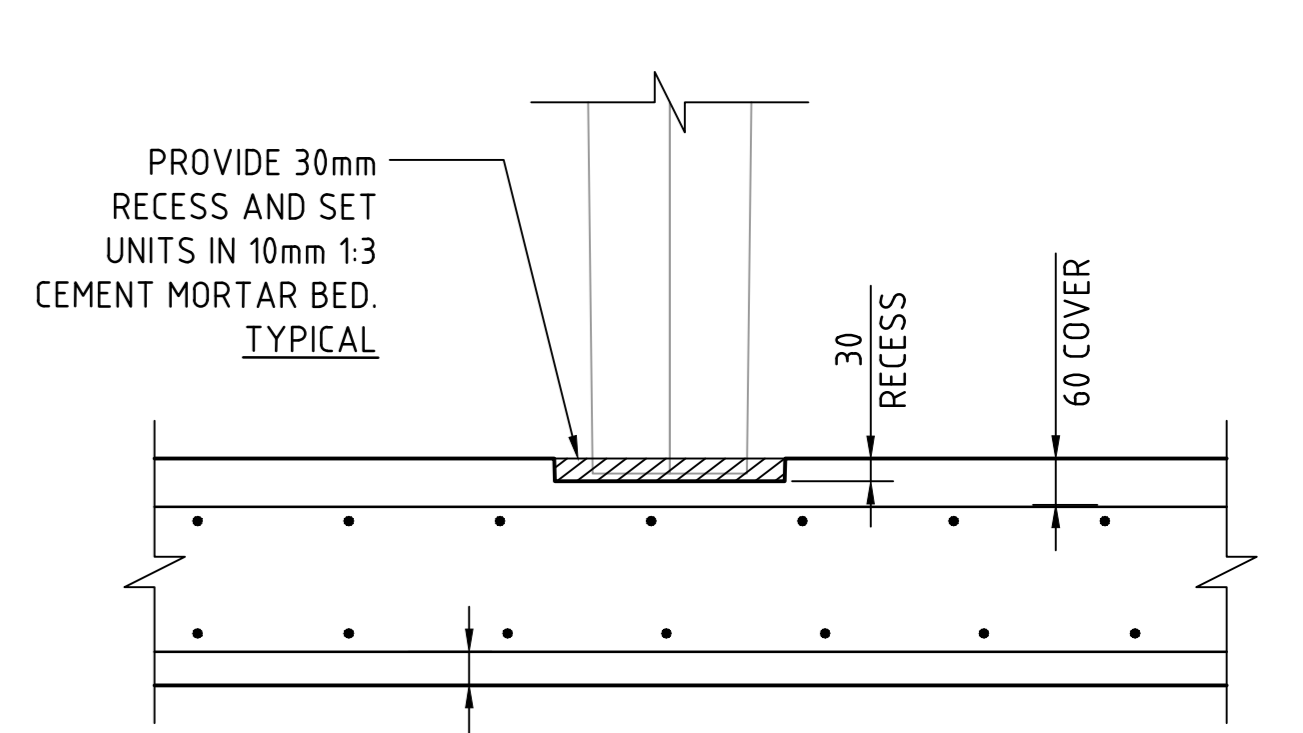
BAR DIAMETER	MIN LAP LENGTH (mm)	MIN COG LENGTH (mm)
N12	500	180
N16	750	210
N20	1000	260
N24	1200	320

UNO ABOVE

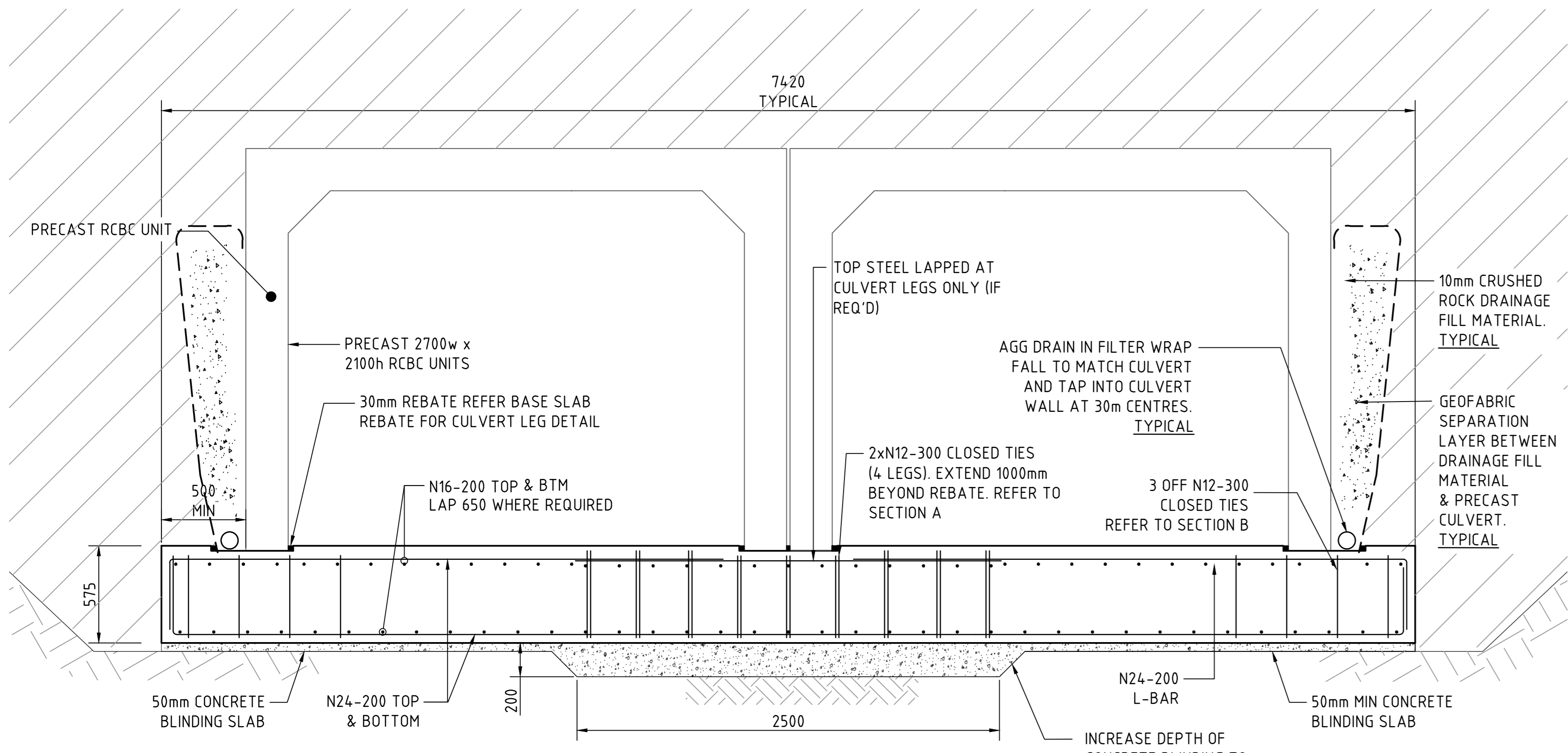
NOTES:
EXTERNAL CONSULTANT NOTE:
EXTERNAL DESIGNS SHOWN ARE INDICATIVE FOR PRICING PURPOSES ONLY.
FOR FURTHER DESIGN INFORMATION, REFER TO THE BELOW RESPECTIVE CONSULTANT'S DESIGN PACKAGES.
ARCADIS - MPW (MOOREBANK PRECINCT WEST LOOP ROAD - LPMW-ARC-CV-DWG)
AURECON - INTS (INTERSTATE RAIL FACILITY - INTS-AUR-PV-SKC)
AURECON - RALP (INTERMODAL TERMINAL DEVELOPMENT - N01031-PWD-DRG-GEN)
NORTHROP - MAUW (MOOREBANK AVENUE UPGRADE WORKS - MAUW-NRP-CV-DWG)
NORTHROP - MADR (MOOREBANK AVENUE DIVERSION ROAD - MADR-NRP-CV-DWG)
NORTHROP - MAAI (MOOREBANK AVENUE ANZAC ROAD INTERSECTION - MAAI-NRP-CV-DWG)



DETAIL 1:10
DETAIL TO BE MIRRORED AT OTHER END OF BASE SLAB

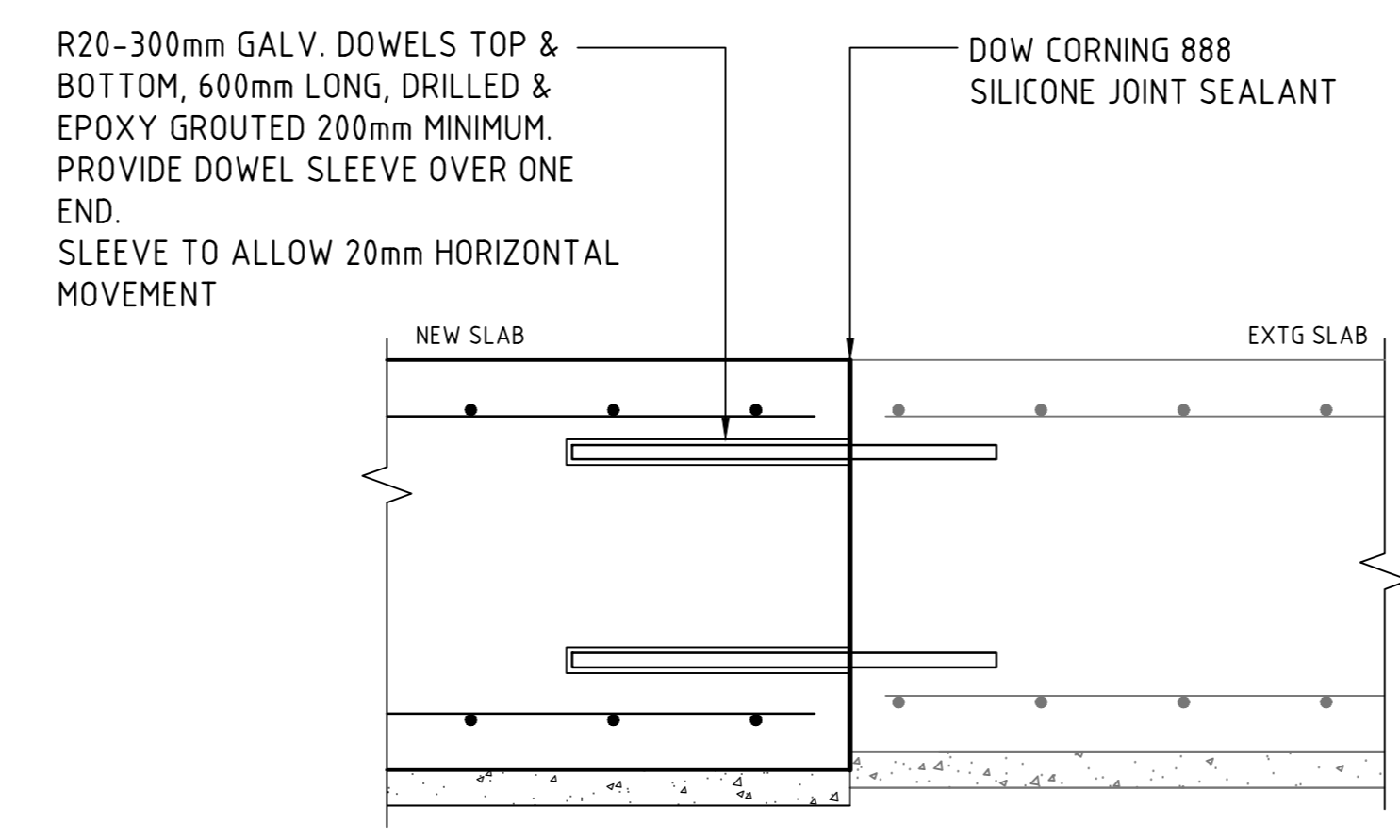


DETAIL 1:10
TYPICAL

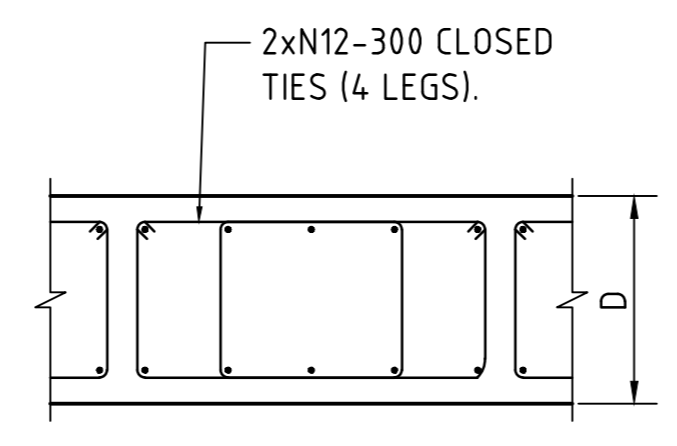


EAST/WEST CULVERT BASE SLAB STRUCTURAL DETAILS
CH10.00-CH136.00
SCALE 1:20

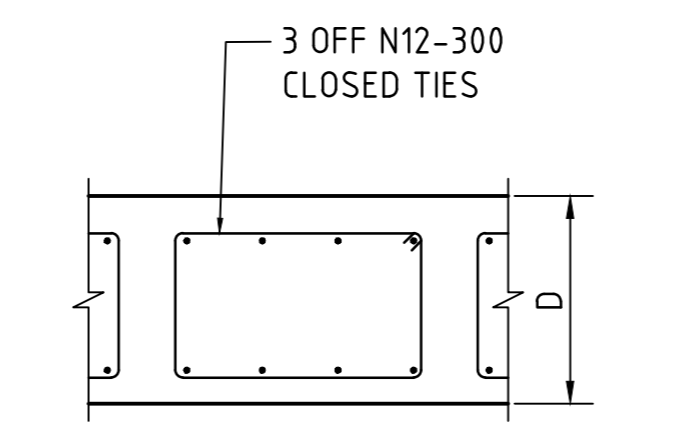
DESIGN LOADS
8.0m FILL DEAD LOAD
4.0kPa LIVE LOAD
CONTAINER STACKING - 3 HIGH



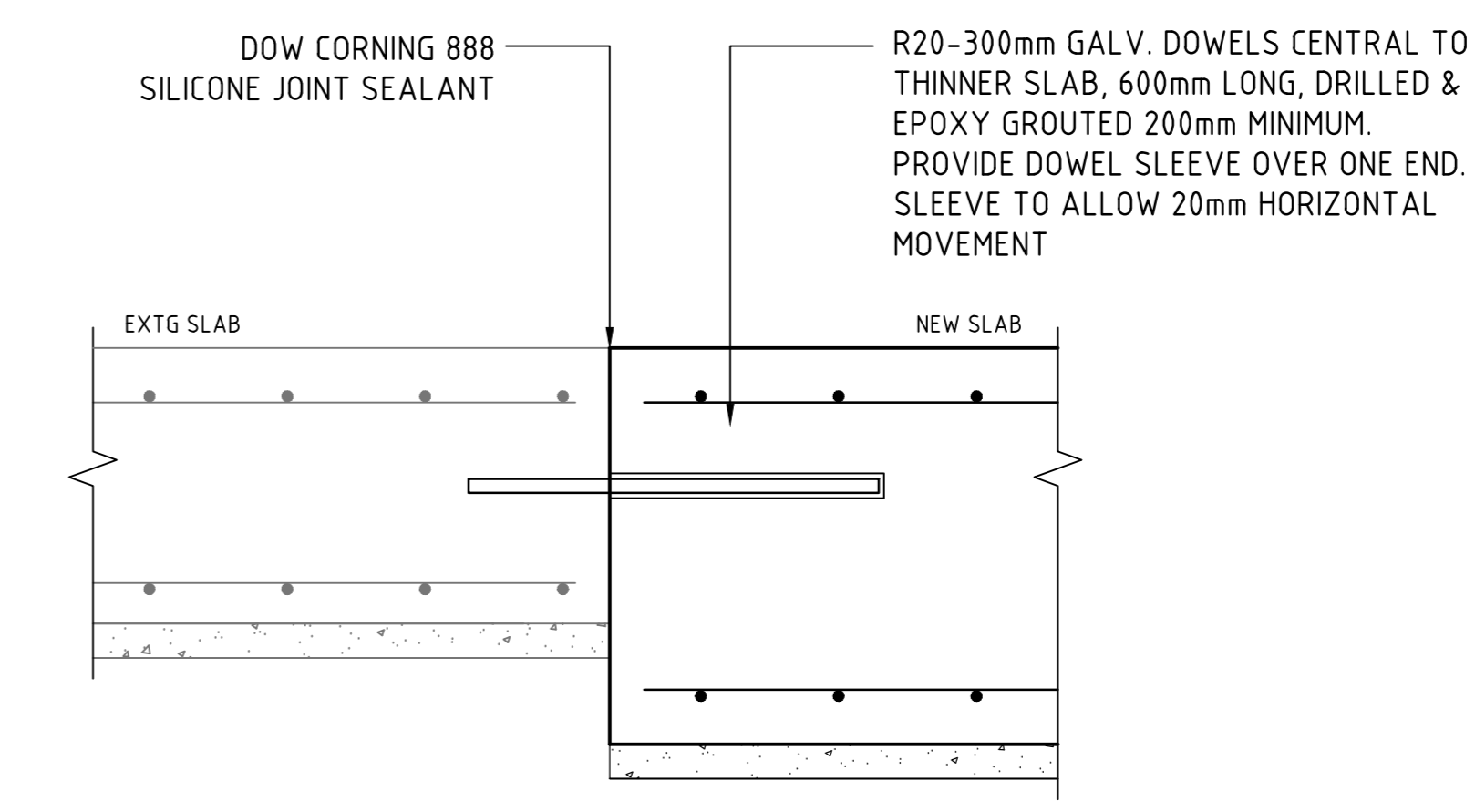
DOWELLED JOINT TO EXISTING - A
SCALE 1:10



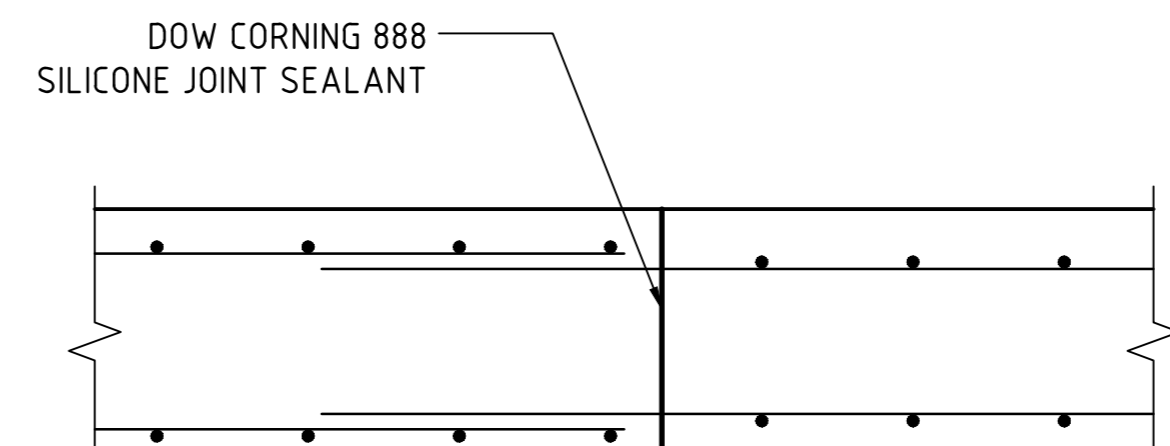
SECTION 1:20 A



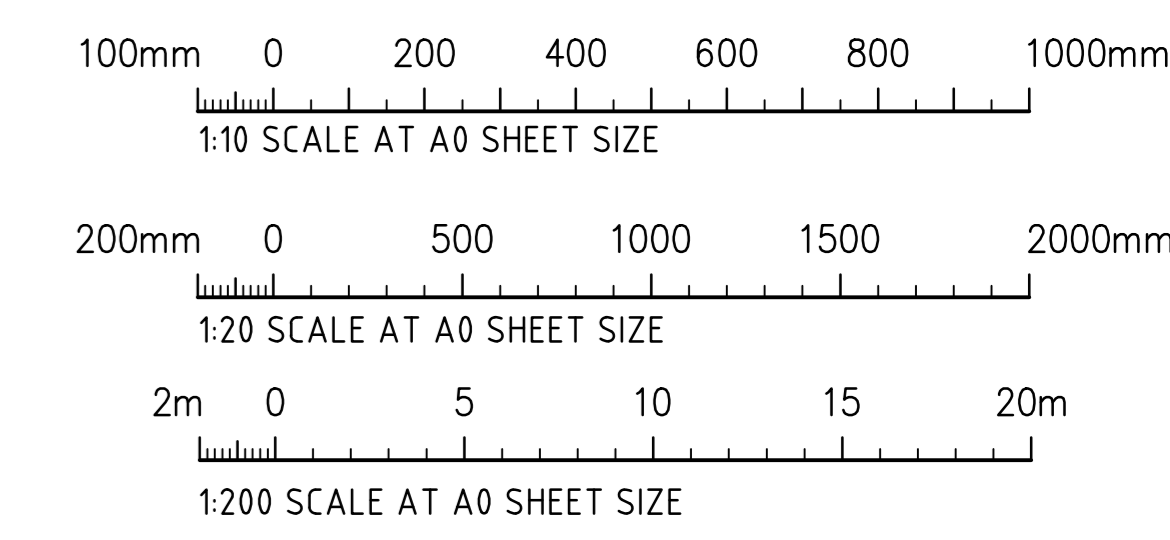
SECTION 1:20 B



DOWELLED JOINT TO EXISTING - B
SCALE 1:10



CONSTRUCTION JOINT INSITU BASE SLAB
SCALE 1:10



FOR CONSTRUCTION

AMENDMENTS	DATE	ISSUE
REVISD AS CLOUDED	10.08.21	3
ISSUED FOR CONSTRUCTION	04.06.21	2
ISSUED FOR CONSTRUCTION	26.05.21	1
ISSUED FOR CONSTRUCTION	01.04.21	0

DEVELOPER
MOOREBANK
QUBE

ARCHITECT
watson young

PROJECT MANAGER
J. WYNDHAM PRINCE
CONSULTING CIVIL INFRASTRUCTURE ENGINEERS & PROJECT MANAGERS

PROJECT
PRECINCT INFRASTRUCTURE WORKS WEST
MOOREBANK AVENUE, MOOREBANK

Costin Roe Consulting Pty Ltd.
Consulting Engineers
Level 1, 9 Windmill Street
Wahlab Bay, Sydney NSW 2000
Tel: (02) 9251-7899 Fax: (02) 9241-3721
email: mail@costinroe.com.au

Costin Roe Consulting
PRECISION | COMMUNICATION | ACCOUNTABILITY

DRAWING TITLE
EAST-WEST CULVERT FINAL BASE SLAB PLAN & DETAILS
DRAWING No. **LPWPIW-COS-CV-DWG-0448** ISSUE **3**